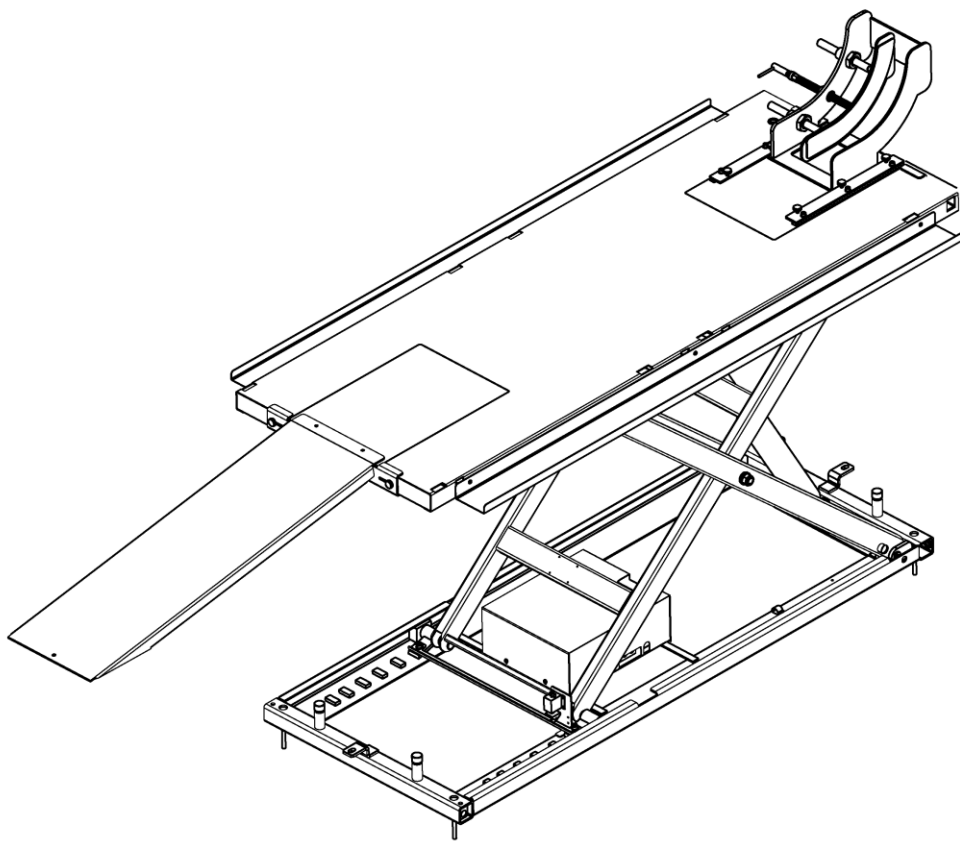


Model No. EE-MLH10D/EE-MLH10
Motorcycle lift, Mid Rise
Lifting Capacity, 1000KG
Electrical Release

**Installation, Operation
And Parts Manual
Translated Version**



EAE



Distributed by

Please read this entire manual carefully and completely before installation or operation of the lift.

12/12/2023

www.eae-ae.com

IMPORTANT NOTES

Before start up, connecting and operating EAE products, it is absolutely essential that the operating instructions/owner's manual and, in particular the safety instructions are studied carefully. By doing so you can eliminate any uncertainties in handling EAE products and thus associated safety risks up front; something which is in the interest of you own safety and will ultimately help avoid damage to the device, When an EAE product is handed over to another person, not only the operating instructions but also the safety instructions and information on its designated use must be handed over to the person.

By using the product you agree the following conditions:

Copy right

The enclosed instructions are the property of EAE or its supplier, and are protected against duplication and reproduction by copyright laws, international agreements, and other domestic legislation. The reproduction or disclosure of instructions or an extract thereof is prohibited and offenders are liable to prosecution; EAE reserves the right or initiates criminal proceedings and asserts claims for damages in the event of infringements.

Warranty

The use of non-approved hardware will result in a modification of our products and thus to the exclusion of any liability or warranty, even if such hardware has been removed again in the interim.

It is not permissible to make any changes to our products and these are not only to be used together with genuine accessories and genuine replacement parts. Otherwise any warranty claims will be invalid.

Liability

The liability of EAE is limit to the amount that the customer has actually paid for this product. This exclusion of liability does not apply to damages caused through willful misconduct or gross negligence on the part of EAE.

All information in this manual is believed to be correct at time of publication.

EAE reserves the right to amend and alter technical data and composition without prior notice.

Please confirm at time of ordering.

IMPORTANT NOTES	2
SAFETY NOTES	4
1.1 Operation of lifting platforms	4
1.2 Checking of the lifting platforms	4
1.3 Important safety notices	5
PACKING, STORAGE AND TRANSPORTATION	8
2.1 The lift was dismantled into the following 4 parts for transportation	8
2.2 Storage	8
2.3 Lifting and handling	8
PRODUCT DESCRIPTIONS	9
3.1 General descriptions	9
3.2 Construction of the lift	9
3.3 Dimensions	10
3.4 Safety devices descriptions	10
3.5 Technical data	11
INSTALLATION INSTRUCTIONS	11
4.1 Preparations before installation	11
4.2 Installation attentions	12
4.3 General Installation Steps	12
4.4 Trial running	14
4.5 Items to be checked after installation	14
OPERATION INSTRUCTIONS	15
5.1 Cautions, warnings and prohibitions for safe use	15
5.2 Flow chart for operation	16
5.3 Operation instructions	16
5.4 Move the unloaded lift	18
MAINTENANCE	19
Annex 1, Electrical diagrams and parts list	20
Annex 2, Hydraulic diagrams and parts list	21
Annex 3, Exploded mechanical drawings and parts list	24
Annex 4, Exploded drawings and parts list for optional parts	29

SAFETY NOTES

1.1 Operation of lifting platforms

This lift is specially designed for lifting motor vehicles. Users are not allowed to use it for any other purposes. The applicable national regulations, laws and directives must be observed.

Only users aged 18 or above who have been instructed on how to operate the lifting platform and have proven their ability to do so to the owner are to be entrusted with unsupervised operation of lifting platforms. The task of operating the lifting platforms must be granted in writing.

Before loading a vehicle onto the lifting platform, users should study the original operation instructions and familiarize themselves with the operating procedures in several trial runs.

Lift vehicle within the rated load. Don't attempt to raise vehicles with excessive weight.

1.2 Checking of the lifting platforms

Checks are to be based on the following directives and regulations:

- Basic principles for testing lifting platforms
- The basic health and safety requirements
- Harmonized European standards
- The applicable accident prevention regulations

The checks are to be organized by the user of the lifting platform. The user is responsible for appointing an expert or qualified person to perform checking. It must be ensured that the person chosen satisfies the requirements.

The user bears special responsibility if employees of the company are appointed as experts or qualified persons.

1.2.1 Scope of checking

Regular checking essentially involves performing a visual inspection and a functional test. This includes checking the condition of the components and equipment, checking that the safety systems are complete and functioning properly and that the inspection log book is completely filled in. The scope of exceptional checking depends on the nature and extent of any structural modification or repair work.

1.2.2 Regular checking

After initial commissioning, lifting platforms are to be checked by a qualified person at intervals of not longer than one year.

A qualified person is somebody with the training and experience required to possess sufficient knowledge of lifting platforms and who is sufficiently familiar with the pertinent national regulations, accident prevention regulations and generally acknowledged rules of engineering to be able to assess the safe operating condition of lifting platforms.

1.2.3 Exceptional checking

Lifting platforms with a lift height of more than 2 meters and lifting platforms intended for use with people standing under the load bearing elements of the load are to be checked by an expert prior or reuse following structural modifications and major repairs to load bearing components.

An expert is somebody with the training and experience required to possess specialist knowledge of lifting platforms and who is sufficiently familiar with the pertinent national work safety regulations, accident prevention regulations and generally acknowledged rules of engineering to be able to check and give an expert option on lifting platforms.

1.3 Important safety notices

1.3.1 Recommend for indoor use only. DO not expose the lift to rain, snow or excessive moisture.

1.3.2 Only use this lift on a surface that is stable and capable of sustaining the load. Do not install the lift on any asphalt surface.

1.3.3 Read and understand all safety warnings before operating the lift.

1.3.4 Do not leave the controls while the lift is still in motion.

1.3.5 Keep hands and feet away from any moving parts. Keep feet clear of the lift when lowering.

1.3.6 Only these properly trained personnel can operate the lift.

1.3.7 Do not wear unfit clothes such as large clothes with flounces, ties, etc., which could be caught by moving parts of the lift.

1.3.8 To prevent evitable incidents, surrounding areas of the lift must be tidy and with nothing unconcerned.

1.3.9 The lift is simply designed to lift the entire body of vehicles, with its maximum weight within the lifting capacity.

1.3.10 Never remove safety related components from the lift. Do not use if safety related components are damaged or missing.

1.3.11 Do not rock the vehicle while on the lift or remove any heavy component from vehicle that may cause excessive weight shift.

1.3.12 Check at any time the parts of the lift to ensure the agility of moving parts and the performance of synchronization. Ensure regular maintenance and if anything abnormal occurs, stop using the lift immediately and contact our dealers for help.

1.3.13 Lower the lift to its lowest position and do remember to turn off the power when service finishes.

1.3.14 Do not modify any parts of the lift without manufacturer's advice.

1.3.15 If the lift is going to be left unused for a long time, users are required to:

- a. Disconnect the power;
- b. Empty the oil tank;
- c. Lubricate the moving parts with hydraulic oil.

WARNING: The warnings, cautions and instructions discussed in this instruction manual cannot cover all possible conditions and situations that may occur. It must be understood by the operator that common sense and caution are factors which cannot be built into this product, but must be supplied by the operator.

Attention: For environment protection, please dispose the disused oil properly.

1.4 Warning labels

All safety warning labels are clearly depicted on the lift to ensure that the operator is aware of and avoid the dangers of using the lift in an incorrect manner. The labels must be kept clean and they have to be replaced if detached or damaged. Please read carefully the meaning of each label and memories them for future operation.

 CAUTION	 CAUTION	 CAUTION	 CAUTION
 <p>Only qualified persons should be allowed to operate or work on this motorcycle lift.</p>	 <p>Before loading a motorcycle, run the lift without load for a complete cycle to assure it is in good condition.</p>	 <p>Inspect the space above and below the load and the load carrying device. It shall be free of obstruction.</p>	 <p>Keep the motorcycle balanced and centered on the lift.</p>
 CAUTION	 CAUTION	 CAUTION	 CAUTION
 <p>The load carrying device shall be observed by the operator throughout the motion of the lift.</p>	 <p>Travelling on the load carrying device is forbidden.</p>	 <p>Unauthorized persons are not permitted standing near the lift while it is being raised or lowered.</p>	 <p>Lower the lift completely and disconnect the supply when it is not in use.</p>
 WARNING	 WARNING	 WARNING	 WARNING
 <p>Only use when the lift is in a static position. Do not use outdoor in strong breeze.</p>	 <p>Do not lift a motorcycle exceeding the lifting capacity of the lift.</p>	 <p>Only raise the lift after verifying that the motorcycle is properly positioned.</p>	 <p>Do not shake the motorcycle while operating the lift.</p>
 DANGER	 DANGER	 DANGER	 DANGER
 <p>Never leave the motorcycle on the platform when it is held only by the front wheel clamping device. The motorcycle may fall.</p>	 <p>Always use proper straps to tie up the motorcycle to the lift while operating.</p>	 <p>Keep hands, feet and other parts of body away for the moving parts to avoid pinching or shearing.</p>	 <p>Electrical connection and maintenance must be done by qualified electricians, otherwise there could be risks of electric shock.</p>

The instructions, cautions and warnings written above as well as in the Manual cannot cover all possible conditions and situations that may occur. The common sense for safety must be always in the mind of the operator. For damages caused through willful misconduct or gross negligence, the manufacturer or its distributors are exclude of liability. 540102290

1.5 Potential safety risks

1.5.1 Mains voltage

Insulation damage and other faults may result in accessible components being live

Safety measures:

- Only ever use the power cord provided or a tested power cord.
- Replace wires with damaged insulation.
- Do not open the operating unit.

1.5.2 Risk of injury, danger of crushing

In the event of excessive vehicle weight, incorrect mounting of the vehicle or on removing heavy object, there is a risk of the vehicle falling off the lifting platform or tipping up.

Safety measures:

- The lifting platform is only ever to be employed for the intended purpose.
- Carefully study and heed all the information given in Section 1.4.
- Observe the warning notices for operation.

1.5.3 Risk of loose wheel clamp

The wheel clamping device may become loose and cause the motorcycle to fall down due to insufficient air pressure, tire leakage or wear of air pipe joint.

Safety measures:

- It is forbidden to leave the motorcycle on the lifting platform when it is held only by the wheel clamp.
- Always use proper straps to tie up the motorcycle to the lifting platform while operating.

1.6 Noise level

Noise emitted during operating the lift should be less than 70dB (A). For health consideration, it is suggested to place a noise detector in your working area.

PACKING, STORAGE AND TRANSPORTATION

Packing, lifting, handling, transporting operations must be performed only by experienced personnel with appropriate knowledge of the lift and after reading this manual.

2.1 The lift was dismantled into the following 4 parts for transportation

<i>Name</i>	<i>Packed by</i>	<i>Dimension(mm)</i>	<i>Weight(kg)</i>	<i>Quantity</i>
<i>MLH10 Lifting platform</i>	<i>Wooden case</i>	<i>2260x850 x 320</i>	<i>310</i>	<i>1</i>
<i>Wheel Clamp</i>	<i>Carton</i>	<i>520x520x370</i>	<i>22</i>	<i>1</i>
<i>Ramp</i>	<i>Carton</i>	<i>1300 x 400 x 80</i>	<i>18</i>	<i>1</i>
<i>Tool tray</i>	<i>Bubbled film</i>	<i>2010 x 140 x 60</i>	<i>14</i>	<i>1</i>

2.2 Storage

The packs must be kept in a covered and protected area in a temperature range of -10°C to +40°C. They must not be exposed to direct sunlight, rain or water.

Stacking the packs

We advise against stacking because the packs are not designed for this type of storage. The narrow base, heavy weight and large size of the packs make stacking difficult and potentially dangerous.

If stacking is unavoidable, use all appropriate precautions:

-never stack to more than 2 meters in height.

-never make stacks of single packs. Always stack pairs of packs in a cross pattern so that the base is bigger and the resulting stack is more stable. Once the stack is complete, restrain it using straps, ropes or other suitable methods.

A maximum of two packs can be stacked on lorries, in containers, and in railway wagons, on condition that the packs are strapped together and restrained to stop them falling.

2.3 Lifting and handling

The packs can be lifted and transported only by using lift trucks.

Opening the packs

When the lift is delivered, make sure that it has not been damaged during transportation and that all the parts are present.

Packs must be opened adopting all the precautions required to avoid injury to persons (keep at a safe distance when cutting the straps) or damage to parts of the machine (be careful that no parts are dropped while you are opening the packing)

Take special care with the hydraulic power unit, the control panel and the platform cylinder.

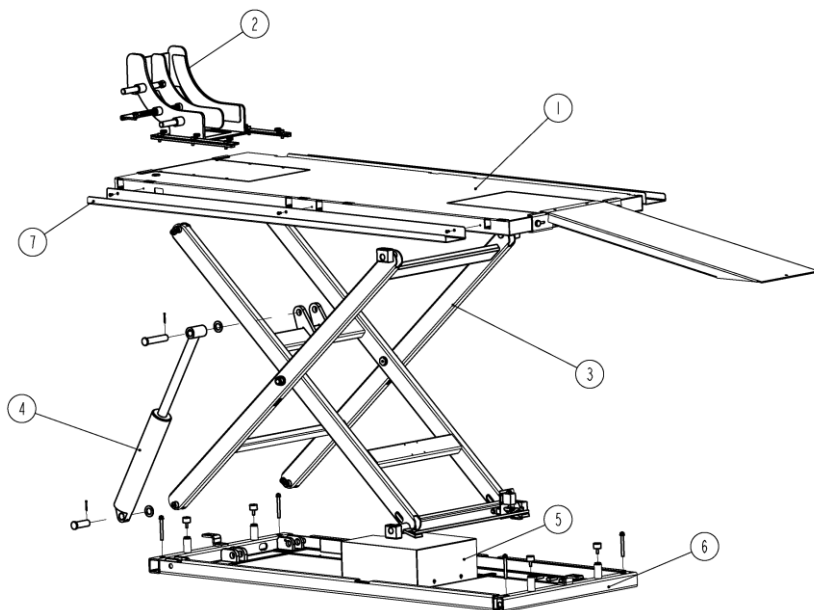
PRODUCT DESCRIPTIONS

3.1 General descriptions

This lift is designed for lifting motorcycles. It is driven by an electro-hydraulic system.

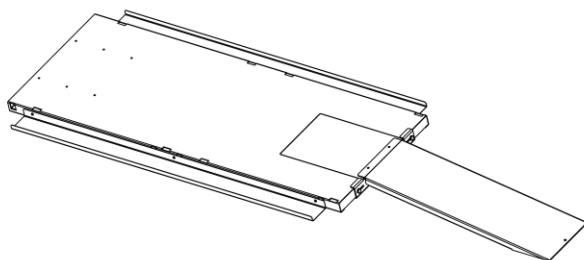
The gear pump delivers hydraulic oil to oil cylinders and pushes upwards their pistons to raise the platforms. The mechanical safety locking system ensures no collapse in case of hydraulic failure.

3.2 Construction of the lift

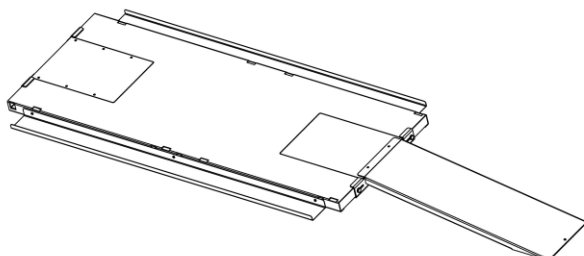


1. *Main lifting platform*
2. *Manually operated wheel clamp*
3. *Support arm*
4. *Hydraulic cylinder*
5. *Power unit*
6. *Base frame*
7. *Tool tray*

EE-MLH10



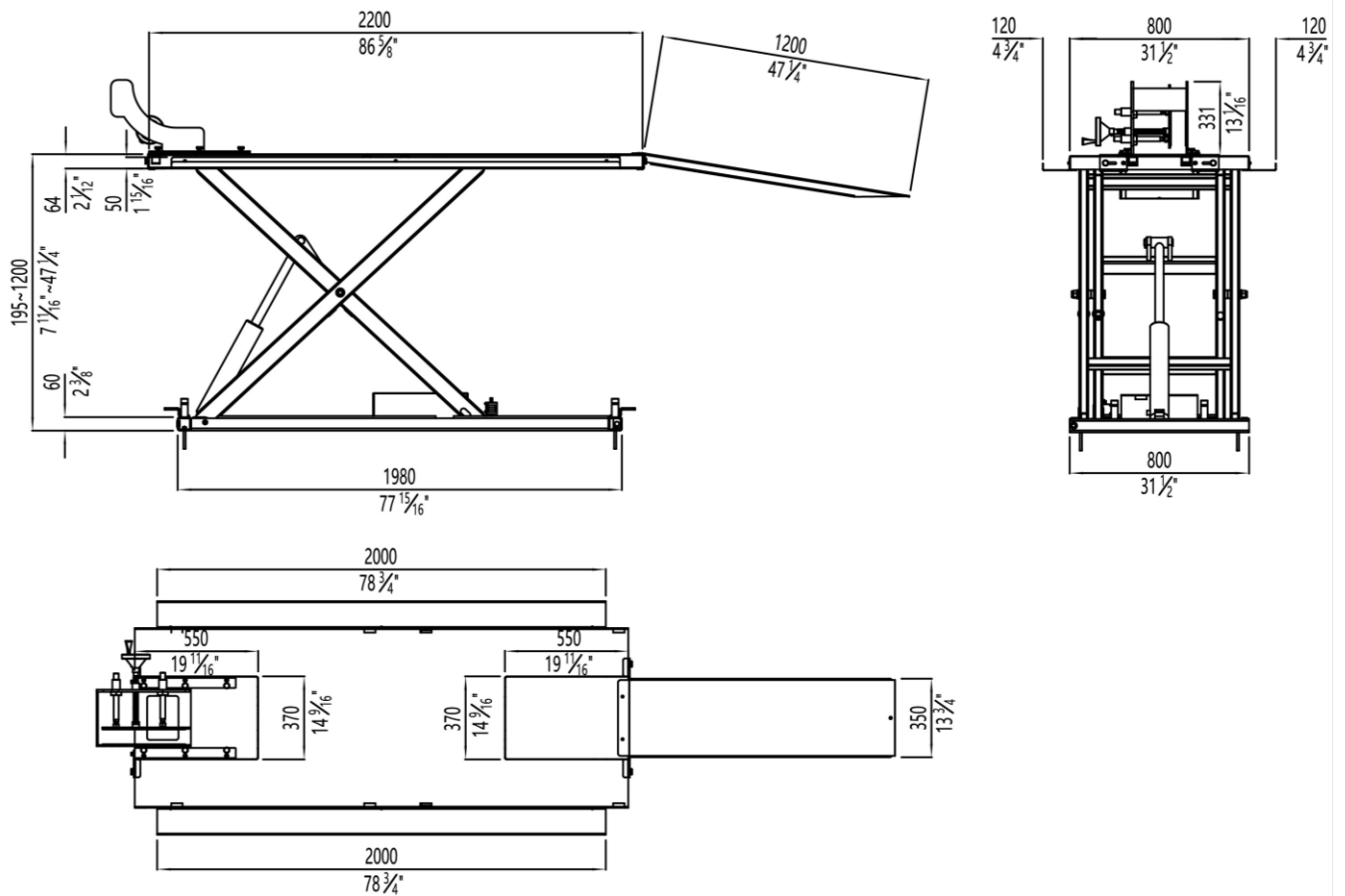
EE-MLH10D



The drop-down plate is available at the rear side of the lifting platform for model EE-MLH10.

The drop-down plates are available at both ends of the platform for model EE-MLH10D

3.3 Dimensions

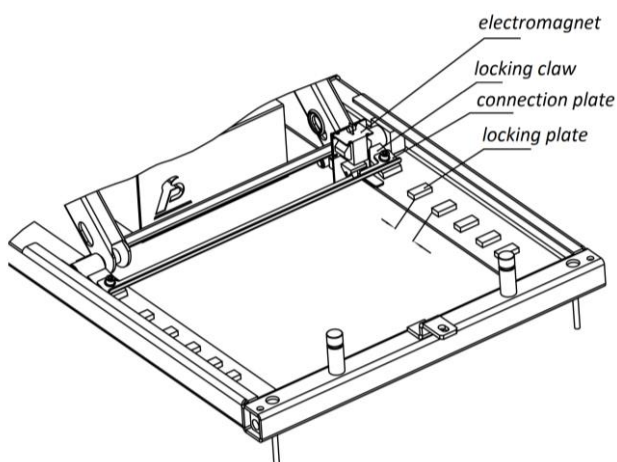


3.4 Safety devices descriptions

There are two locking claws rigidly connected by a steel plate and controlled by an electromagnet.

When the button for raising or lowering movement is pushed, the locking system of the lift releases by making the locking claws go off from the locking blocks welded on the base frame.

Once you stop pushing the button, the locking claws automatically return back to the area between welded locking blocks.



3.5 Technical data

Max lifting capacity	Lifting time	Lifting height	Power supply
1000kg	30s	195mm~1200mm	110V/220V/230V/240V-1Ph-50HZ 110V/220V/230V/240V-1Ph-60HZ

INSTALLATION INSTRUCTIONS

4.1 Preparations before installation

4.1.1 Space requirements.

Indoor installation only. Refer to 3.3 for the dimensions of the lift. There must also be a clearance of at least 1 meter between the lifting platform and fixed elements (e.g. wall) in all lifting positions. There must be sufficient space at the ends of the lifting platform for driving vehicles on and off.

4.1.2 Foundations and connections

The user must have the following work performed before erecting the lift.

- Construction of the foundation following consultation with the manufacturer's customer service or an authorized service agent.
- Routing of the wiring to the installation location. The user must provide fuse protection for the connection. **Electrical system connection must be done by qualified electricians. Requirements for power supply cable of the installation site: at least 1.5mm² wire core for 1Ph power. Refer also to the corresponding information on the name plate and in the operation instructions. Before doing electrical connection, make sure the lift is electrically adapt to the local power supply.**
- Refer also to the corresponding information in the operation instructions.

4.1.3 Foundations preparations

Only use on C15/C20 concrete surface with thickness no less than 150mm.

Surface: Horizontal and even (Gradients max. 0.5 %)

Newly built concrete ground must be older than 20days.

There must be a clearance of at least 1 meter between the lifting platform and fixed elements (e.g. wall) in all lifting positions.

There must also be sufficient space for driving vehicles on and off.

4.1.4 Tools and equipment needed for installation

Tool name	Specification	Qty
Open spanner	D17-19mm	2
Cross socket screw driver	PH2	1
Socket spanner	D24mm	1
Lifting equipment	Capacity more than 1000kg	1

4.1.5 Checking parts

Unfold the package and check if any parts missed as per the following list. Do not hesitate to contact us in case any parts missed, but if you do not contact us and insist installing upon the lack of some parts, we as well as our dealers will not bear any responsibility for this and will charge for any parts subsequently demanded by the buyer.

S/N	Component Name	Specification	Qty
1	Lift platform(Power unit included)	MLH10D	1
2	Tool tray (120x2000)	MLH1000-A2-B6	2
3	Drive-on ramp	MLH800-A03-B05	1
4	Wheel Clamp	MLH1000V2-A10	1
5	Strap	Wdith:40mm	2

4.2 Installation attentions

4.2.1 Joints of oil hoses and wires must be well connected to avoid leakage or looseness.

4.2.2 All bolts shall be tightly screwed up.

4.2.3 Do not place any vehicle on the lift in trial running.

4.3 General Installation Steps

Step 1: Remove the packaging materials;

Attention: Avoid scratching the painting surface and hoses.

Step 2: Raise and lock the lifting platform;

Use proper methods to hoist the lifting platform to a proper height and make the raised platform be locked by the locking device of the lift itself.

Step 3: Fill with hydraulic oil;

CLEAN AND FRESH OIL ONLY. DON'T FILL THE TANK COMPLETELY FULL.

The volumn of the tank is 2.5L. Fill about 2 liters hydraulic oil into the oil tank to run the lift up and down for 2 or 3 times.

After running the lift for several cycles, add more oil if necessary to raise lift to full height.

It is recommended to use HM No.46 hydraulic oil. Use HM No.32 hydraulic oil when average temperature of the location is below 10 degree Celsius.

NOTE: Change the oil 6 months after initial use and change once per year thereafter.

Step 4: Connect the power supply;

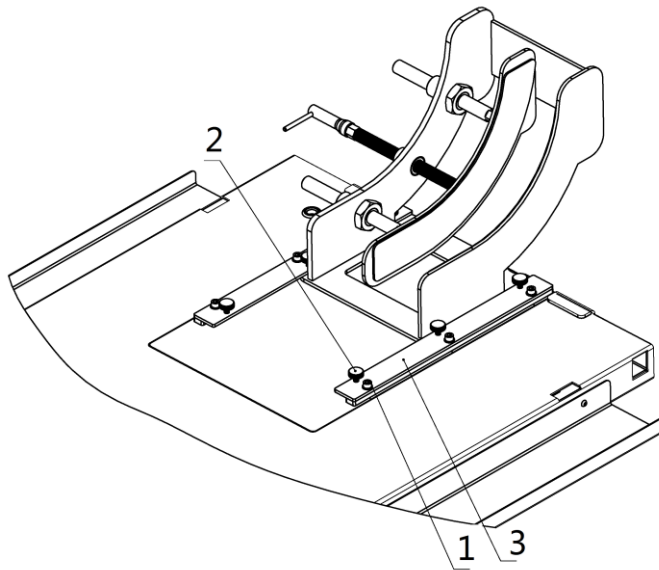
Refer to electrical connection diagram before making the connection.

Attention: electrical system connection must be done by qualified electricians.

Refer to the corresponding information on the name plate. Before doing electrical connection, make sure the lift is electrically adapt to the power supply.

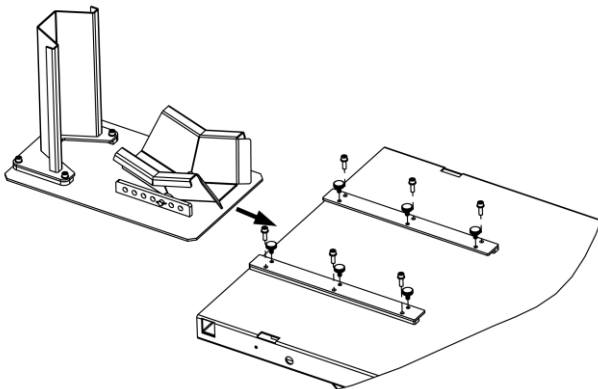
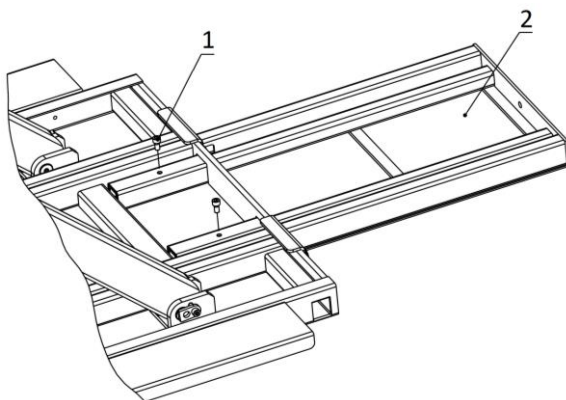
Step 5: Install the wheel-clamping device;

Width adjustable wheel-clamp (It is fit for wheels with width from 50 to 190 milimeters).

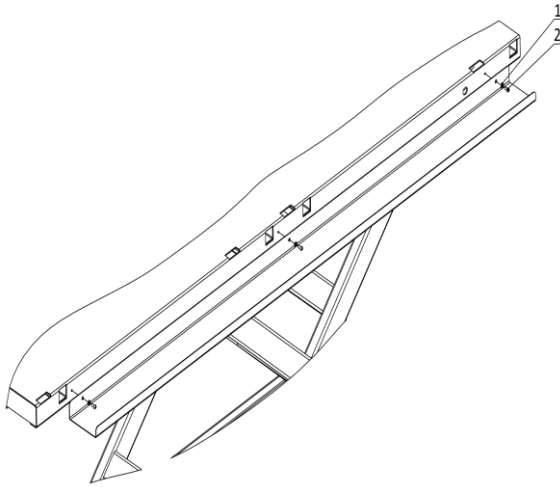


- ① Hex socket cylinder head screw M8*25 (M8 washer)
- ② Screw knob M8*20
- ③ Fixing plate

Fixed width wheel-clamp (It is fit for wheels with width from 90 to 150 milimeters).


Step 6: Fix lengthwise platform extension (optional);
Attention: The screw (NO.1 in the following scheme) must be tightened before use.


- ① Hex socket cylinder head screw
- ② Lengthwise platform extension

Step 7: Fix tool tray.


① Flat washer D6

② Cross socket cap head screw M6x12

4.4 Trial running.

Get familiar with lift controls by running the lift through a few cycles before loading vehicle on lift. This step is of particular importance for it can check if the oil hoses are properly and tightly connected. The connection is qualified when there is no abnormal sound or leakage after having been tested for 5-6 cycles.

Raise and lower the lift several cycles. The cylinder is self-bleeding. After bleeding system, fluid level in power unit reservoir may be down. Add more oil if necessary to raise lift to full height. It is only necessary to add oil to raise lift to full height.

(For three phase power supply, if the lift doesn't raise and the motor may turn in the wrong direction, in such event, interchange wires U, V in the control cabinet).

4.5 Items to be checked after installation.

S/N	Check items	YES	NO
1	Rising speed $\geq 20\text{mm/s}$;	√	
2	Noise with rated load $\leq 75\text{dB(A)}$;	√	
3	Grounding resistance: not bigger than 4Ω ;	√	
4	Mechanical locks are robust when running with rated load ;	√	
5	Does the control button work as "hold to run"?	√	
6	Is grounding wire connected?	√	
7	Does it rise and lower smoothly?	√	
8	No abnormal noise during running with rated load.	√	
9	No oil leakage when running with rated load?	√	
10	Are all bolts, nuts or circlips well secured?	√	
11	If the max lifting height can reach to 1200mm?	√	
12	Are safety advices, name plate and logos clear?	√	

OPERATION INSTRUCTIONS

5.1 Cautions, warnings and prohibitions for safe use

Before commissioning the lift, users have to get very familiar with all instructions, cautions and warnings that is necessary for safe and proper use. Improper use can bring severe hazards or loss to the users as well as to the lift and lifted vehicles.

5.1.1 Before commissioning

- This lift is to be operated only by personnel who was trained to be qualified. Get very familiar with and understand all instructions, cautions and warnings before commissioning.
- Prohibit unauthorized persons from accessing the lifting table.
- Only use this lift on a surface that is stable, level and dry and not slippery, and capable of sustaining the load.
- Don't use outdoor in strong breeze which may cause overturning.
- Do not try to raise vehicle with excessive length or width. Otherwise there is risk of vehicle falling from lift.
- Never raise just one end, one corner or one side of vehicle. Don't use for purposes other than lifting motorcycles.
- Before loading operation, run the lift without load for several complete cycles to ensure it is in good condition.
- Center of gravity of the vehicle should be centered over the load platform. Otherwise, could be risk of vehicle falling from lift.
- Inspect the space above and below the load and the loading carrying devices. It shall be free of obstructions before operating.
- Only start lifting when you are confirmed that the vehicle is stably parked and there is no risk of vehicle falling from lift.
- It is forbidden to leave the motorcycle on the lifting platform when it is held only by the wheel clamp. The clamp is not designed for holding the entire body of vehicle and it is possible become untightened in the event of insufficient air pressure, tire leakage or wear of air pipe joint.

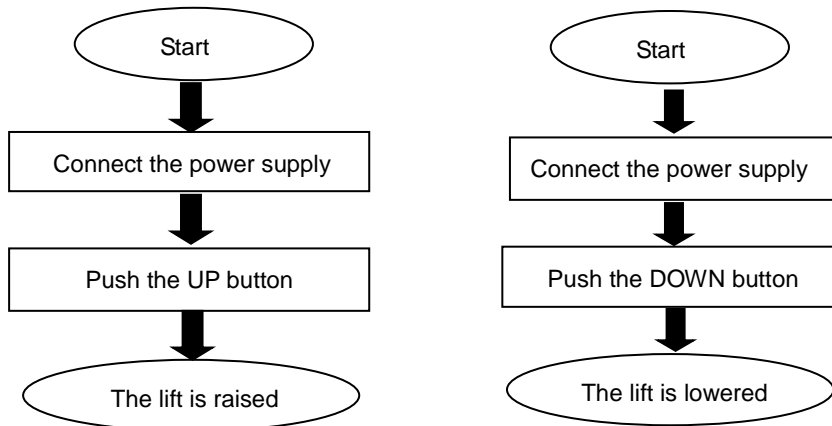
5.1.2 During commissioning

- No lifting or lowering without using proper straps to tie up the motorcycle stably on the lifting platform.
- The load carrying table shall be observed by the operator throughout the motion of the lift.
- Engage the mechanical locking device before any attempt to work under the lifting platform.
- Always use safety stands to keep the lifted vehicle being balanced when moving or installing heavy components.
- Avoid excessive rocking of vehicle while on the lift
- Do not climb onto the load or load carrying device when they are raised.
- It is forbidden for people to stand in the field of motion during raising or lowering movement.
- After taking the lift out of operation, turn off and lock the main switch to prevent unauthorized use.

5.1.3 After commissioning

- Lower the lifting platform to the lowest position, turn off and lock the main switch to prevent unauthorized use.
- Before disengaging the wheel clamping device or removing the strap, it must be sure that the motorcycle itself can stay alone stably, if not, you need to ask someone else to hold the vehicle from falling down.
- If you find a problem with the lift during use or inspection, mark and lock it. Do not use until it is repaired.
- The instructions, cautions and warnings written above as well as in the Manual cannot cover all possible conditions and situations that may occur. The common sense for safety must be always in the mind of the operator. For damages caused through willful misconduct or gross negligence, the manufacturer or its distributors are exclude of liability.

5.2 Flow chart for operation



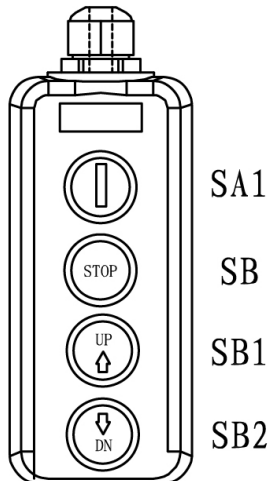
5.3 Operation instructions

The lift must be only used in a static position for lifting and lowering vehicles.

Only use this lift on a surface that is stable and capable of sustaining the load. Do not use the lift on any asphalt surface.

Never leave the motorcycle on the platform when it is held only by the front wheel clamping device. The motorcycle may fall.

To avoid personal injury and/or property damage, permit only trained personnel to operate the lift. After reviewing these instructions, get familiar with lift controls by running the lift through a few cycles before loading vehicle on lifting platform. Never raise just one end, one corner or one side of the motorcycle.



POS.	Description	Function
SA1	Key switch	Lock and defunction the rest buttons in case the lift is not in use. Avoid unauthorised use.
SB	Stop button	Disconnect the power supply in emergency cases.
SB1	UP button	Push for rising movement.
SB2	DOWN button	Push for lowering movement.

Raise the lift

Make sure vehicle is neither front nor rear heavy and center of balance should be midway between adapters and centered over the lift.

1. Make sure that you have read and understood the operation manual before operation.
2. Push and park the motorcycle onto the lifting platform and fix its front wheel with the fixture reserved in the front side of the lifting platform.
3. Use straps to fix the body of the motorcycle so as to ensure the stability during service process.
4. Push the UP button to raise the lifting platform until expected height.
5. Check the stability before service work.

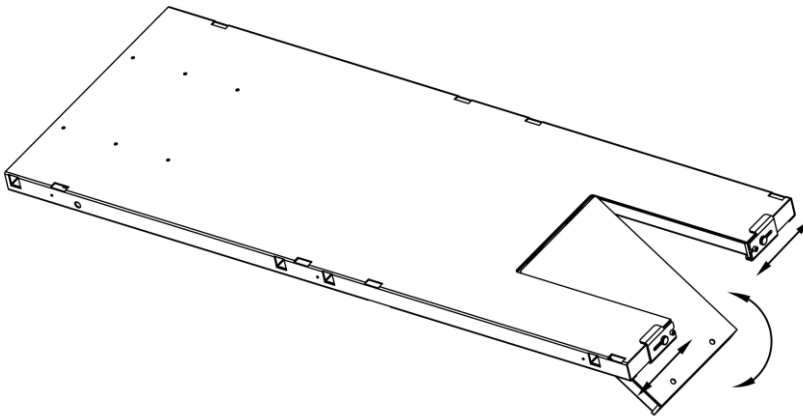
Lower the lift

When lowering the lift, pay careful attention that all personnel and objects are kept clear.

1. Push the DOWN button to lower the lifting platform.

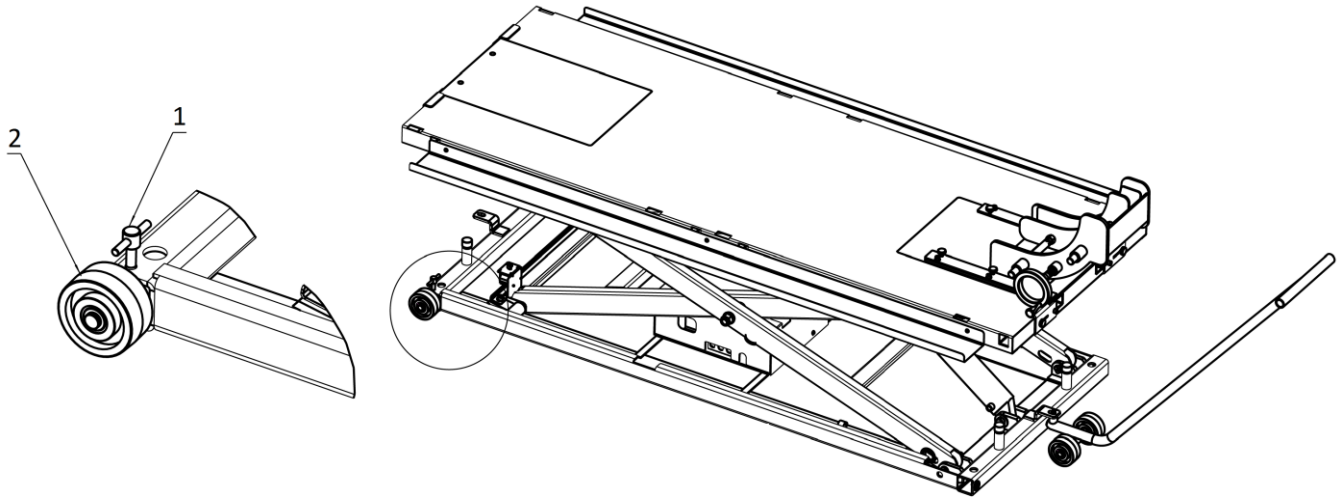
Attention: Raise the lift a little bit to disengage the mechanical locking device, in case the lift can lower by pushing the DOWN button.

Release the drop-plate by pushing the two clips to opposite sides.



5.4 Move the unloaded lift

Always take away all accessories of the optional kit for movable use before loading.
Never attempt to transport the lift when it is loaded.



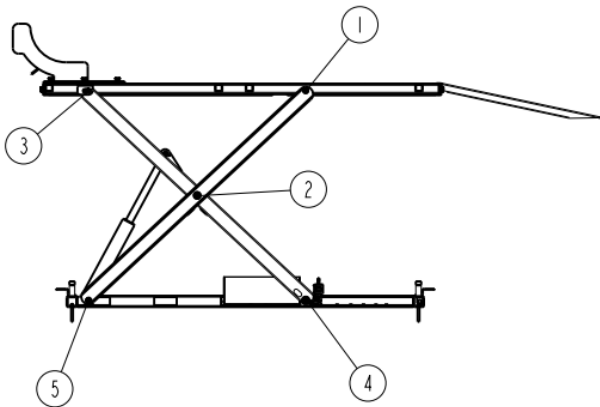
① locking handle ② wheel

1. Raise the front part on the lift using the portable kit. (Fix it into the 14 socket).
2. Fix the wheels at the rear side.
3. Fix the kit to the front side and press down its handle to move the lifting platform.

MAINTENANCE

Easy and low cost routine maintenance can ensure the lift work normally and safely. Following are requirements for routine maintenance. You may choose the frequency of routine maintenance by consulting your lift's working conditions and time.

The following parts need to be lubricated with No.1 lithium base grease.



POS.	Component name	Qty
1	UP slider	2
2	Mid pin shaft	2
3	UP pin shaft	2
4	DOWN slider	2
5	DOWN pin shaft	2

6.1. Daily checking items before operation

The user must perform daily check. Daily check of safety lock system is very important – the discovery of device failure before action could save your time and prevent you from great loss, injury or casualty.

- Check cylinders and oil hose connectors ensure no leakage before using the lift.
- Check if the locking device can engage and disengage effectively by pushing control buttons.

6.2. Weekly checking items

- Check the flexibility of moving parts. Add grease into the oil cups.
- Check cylinders and oil hose connectors. Tighten the hydraulic connectors in case of any leakage.

6.3. Monthly checking items

- Check the amount of oil left in the oil tank. Oil is enough if the platforms can be raised to highest position. Otherwise, oil is insufficient.
- Check the wear and tear of moving parts such as pin shafts, sliders. Replace over-worn parts.

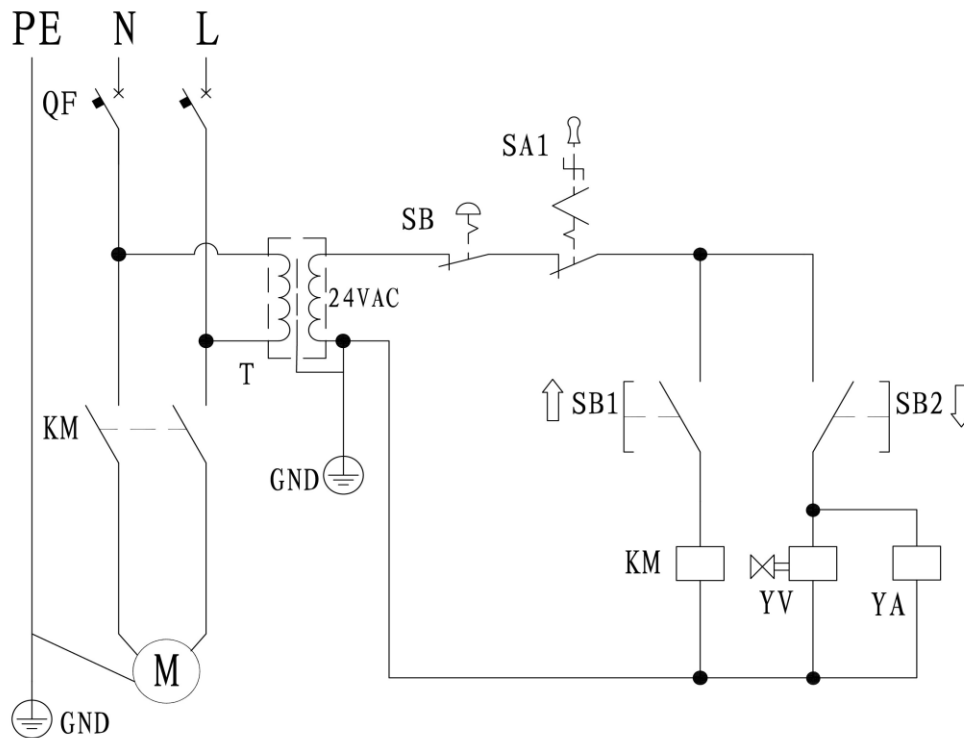
6.4. Yearly checking items

- Change the oil 6 months after initial use and once per year thereafter. Inspect and change the oil if it becomes black or there is dirt in the oil tank.
- Wash and clean the oil filter.

If users stick to the above maintenance requirements, the lift will always keep a good working condition and its service life could be extended.

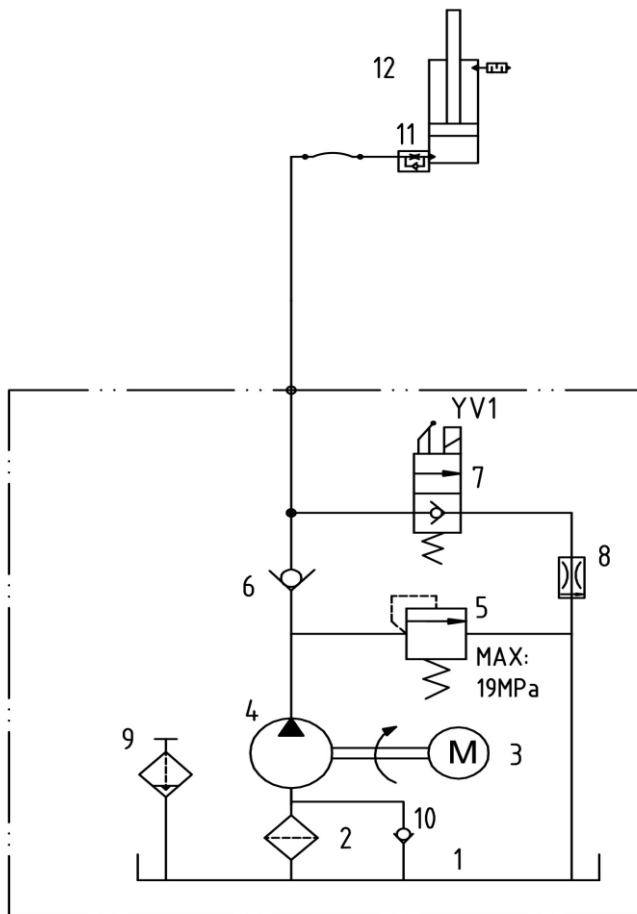
Annex 1, Electrical diagrams and parts list

(Note: For the specific requirements on voltage, the actual voltage of your lift may differ with the following diagram)

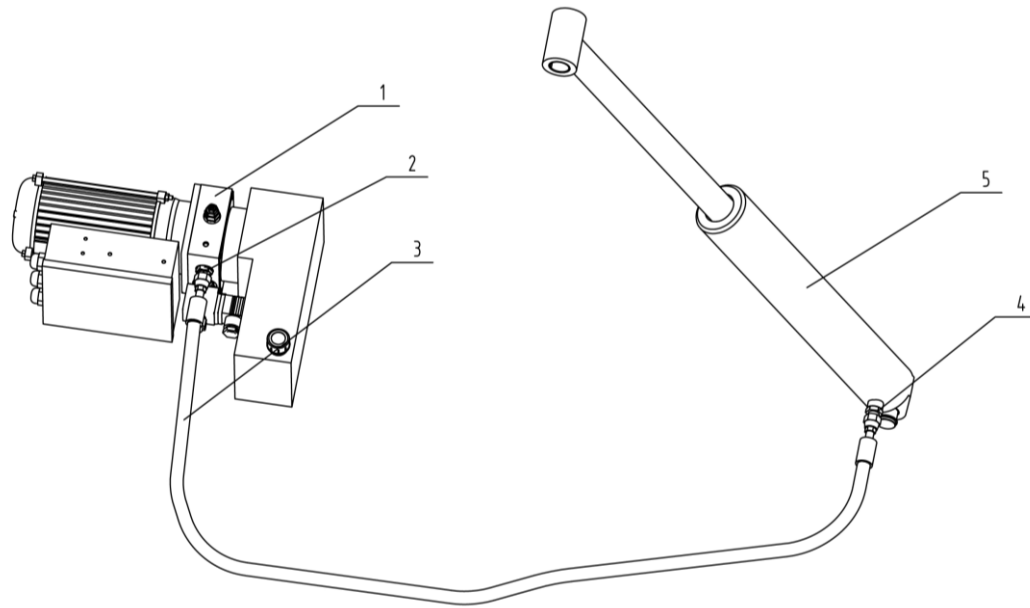


POS.	Code	Component name	Specification	Qty
QF	320804106	AC motor protector	NS2-25 (9-14A CE)	1
KM	320901001	Contactor	CJX2-1210/AC24	1
T	320101134	Transformer 220V-24V	JBK5-100VA 220V-24V	1
T	320101135	Transformer 230V-24V	JBK5-100VA 230V-24V	1
T	320101136	Transformer 110V-24V	JBK5-100VA 110V-24V	1
M	320204214	Motor	220V-1PH-0.75KW-50HZ-2P	1
M	320204270	Motor	220V-1PH-0.75KW-60HZ-2P	1
SB1/SB2/SB/SA1	320307041	Hand-held control unit	FBVD-SV22-042-11B	1
YV	330311010	24VAC coil	YC024AC	1
YA	330310025	Electromagnet	SA-2602	1

NOTE: For power supply of other voltages, the transformer and the AC contactor is different. Please check with our customers service people when order spare parts.

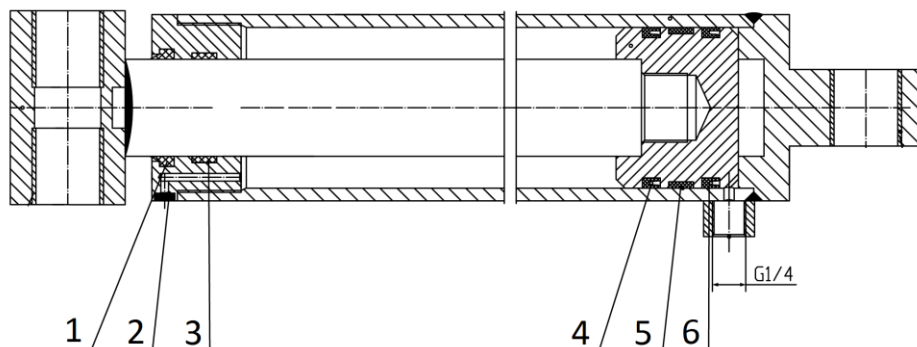
Annex 2, Hydraulic diagrams and parts list


- 1 Oil tank
- 2 Oil sucking filter
- 3 Motor
- 4 CBU gear pump
- 5 Relief valve
- 6 Non-return valve
- 7 Solenoid valve
- 8 Pressure supplementing valve
- 9 Cover
- 10 Cushion valve
- 11 Straight connector (restrictive valve included)
- 12 Cylinder

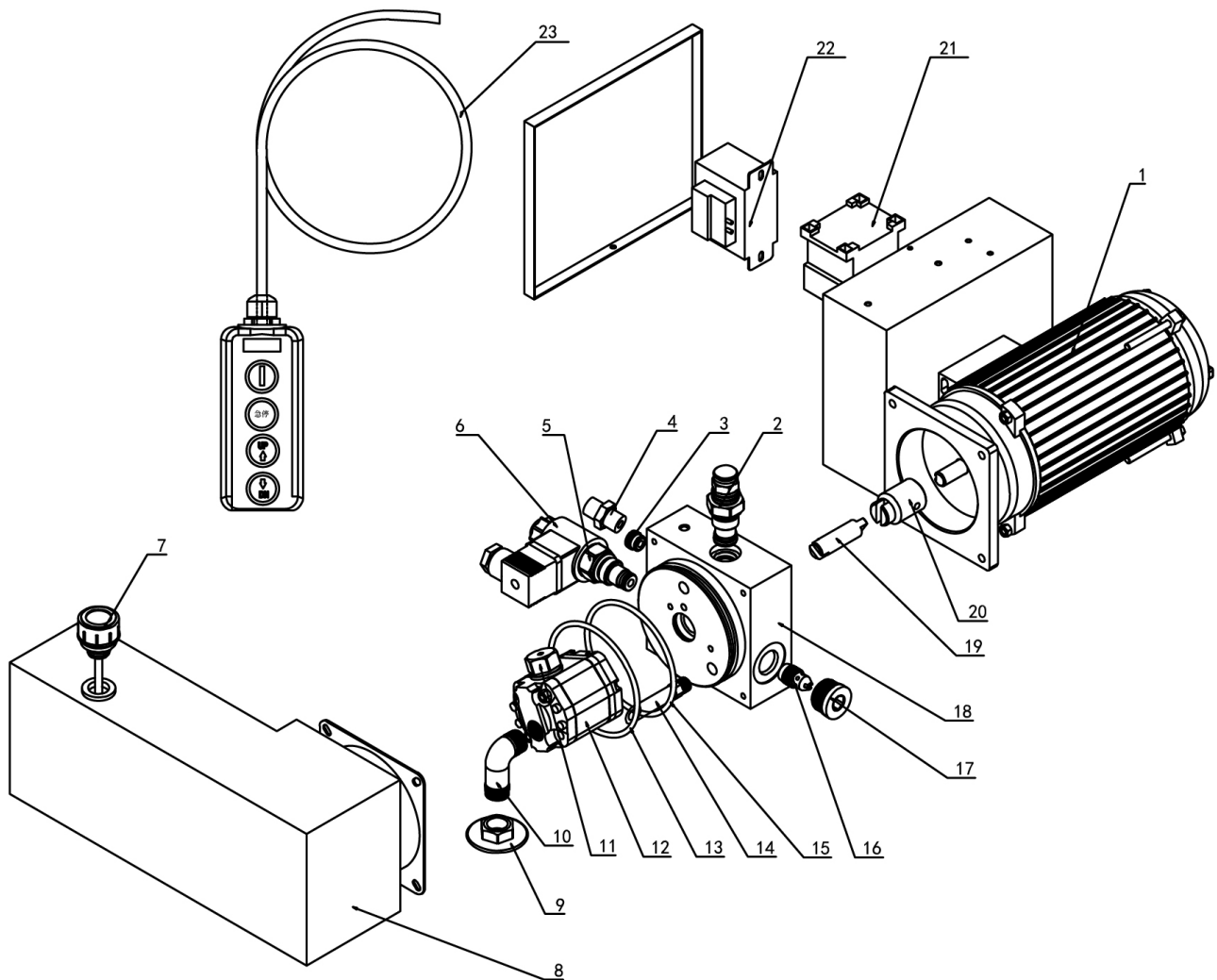


POS.	Code	Component name	Specification	Qty
1		Power unit	0.75KW -1Ph	1
2	310101012	Straight connector (part of the hydraulic block)	G1/4---G1/4	1
3	624008049	Oil hose	L=1400	1
4	310101056	Straight connector(restrictive valve included)	BDPF-G1/4-G1/4	1
5	625000001	Hydraulic cylinder	YG70/83-38-365	1

Seal ring for hydraulic cylinder



POS.	Code	Component name	Specification	Qty
1	207105004	Dust-proof ring	DHS38	1
2	310201006	Silencer	8x2	1
3	207106063	Back-up ring	43x2.5x9.5	1
4	207102030	Piston seal ring	70x60x6	1
5	207106061	Back-up ring	SF1-28/25-30	1
6	207102050	Piston seal ring	55x70x10	1



POS.	Code	Component name	Specification	Qty
1	320204214	Motor	220V-1Ph-0.75kW-50Hz	1
1	320204270	Motor	220V-1PH-0.75KW-60HZ	1
2	330304012	Overflow valve	RV-02	1
3	330302012	Non-return	CV-03	1
4	310101010	Straight connector	G1/4---G1/4	1
5	330311006	Solenoid valve	SCV	1
6	330311010	Solenoid Coil	YC024AC	1
7	330502014	Oil tank cover	FC-03N	1
8	330405060	Oil tank	2.5L-TS042-11A-H	1
9	330503005	Filter	OT100 D2 2D25 1IL SVR	1
10	330401020	Oil-sucking pipe	FP-03H-3036	1
11	330301005	Cushion valve	HCF-03	1
12	330201905	Gear pump	CBU-F1075	1
13	207101109	Type O seal ring	87.5*3.55	1
14	207101110	Type O seal ring	86*2	1

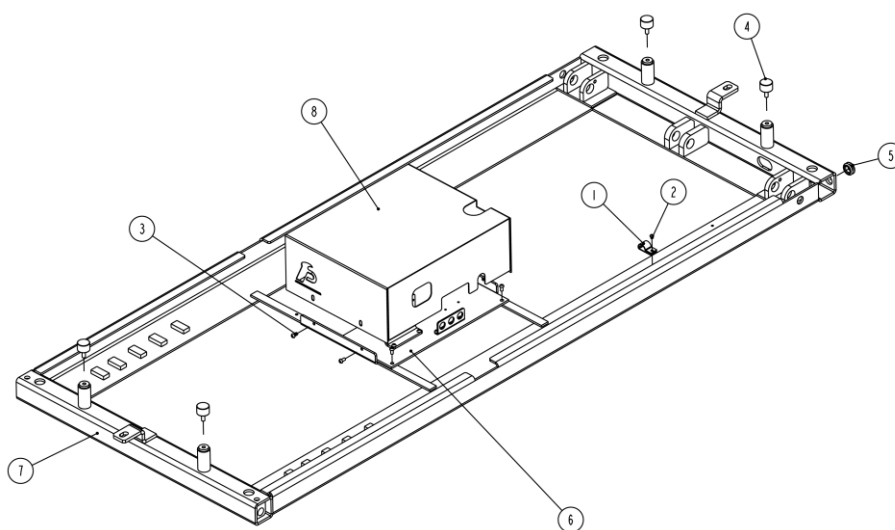
POS.	Code	Component name	Specification	Qty
15	330402013	Oil return pipe	RU10-070	1
16	330503028	Pressure supplementing valve	RPCV-02-04	1
17	330503020	Steel fitting	SP-06	1
18	330105010	Hydraulic block	CMB3-042-11	1
19	330404011	Coupling (small)	ACP-445-63	1
20	330404012	Coupling (big)	ACP-037-063	1
21	320902006	Contactora	NC0910-24-50	1
22	320101136	Transformer 110V	JBK5-100VA 110V-24V	1
22	320101134	Transformer 220V	JBK5-100VA 220V-24V	1
22	320101135	Transformer 230V	JBK5-100VA 230V-24V	1
22	320101140	Transformer 240V	JBK5-100VA 240V-24V	1
23	320307041	Hand-held control unit	FBVD-SV22-042-11B	1

NOTE: The motor is different for different voltage or capacity.

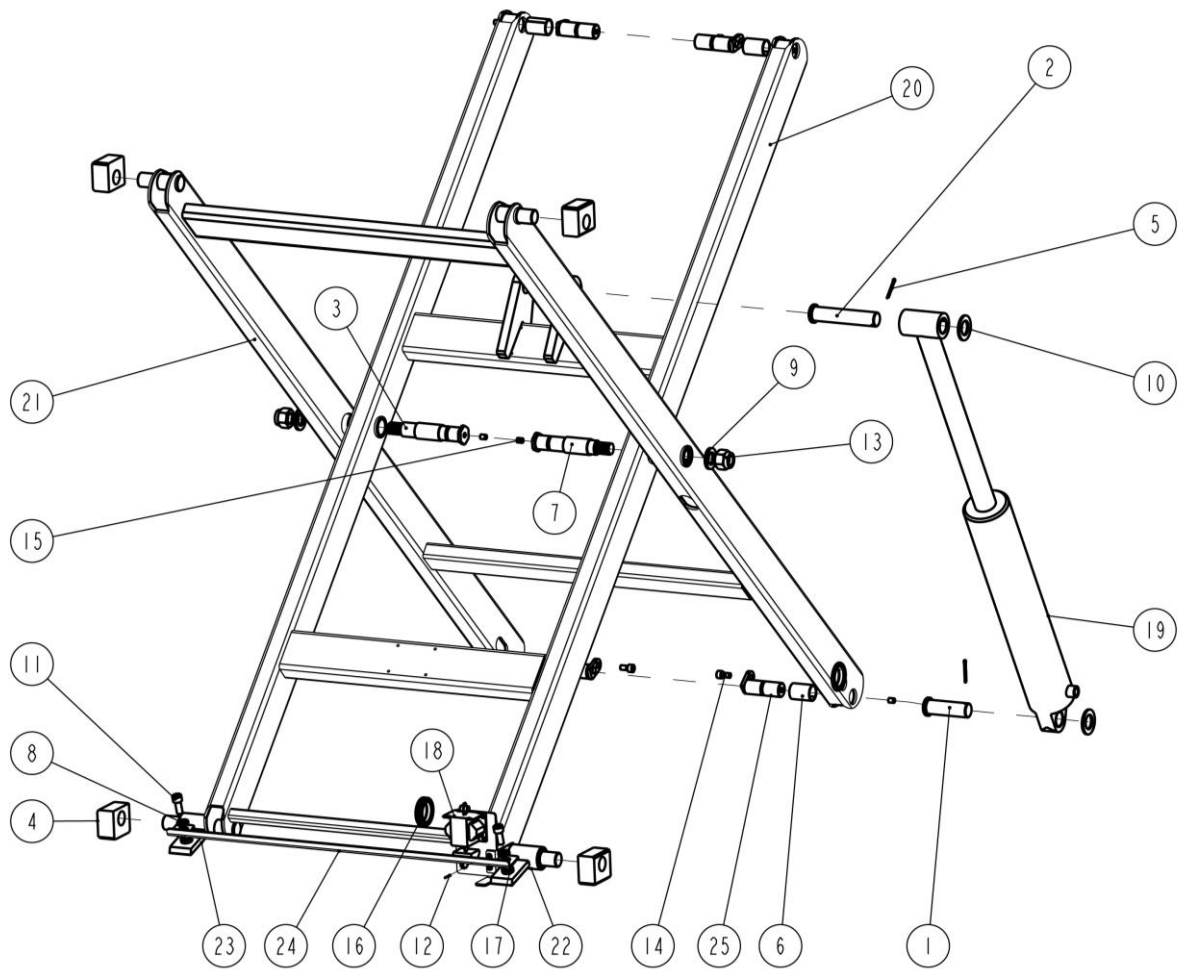
Please check with our customers service people when order spare parts.

Annex 3, Exploded mechanical drawings and parts list

Base frame



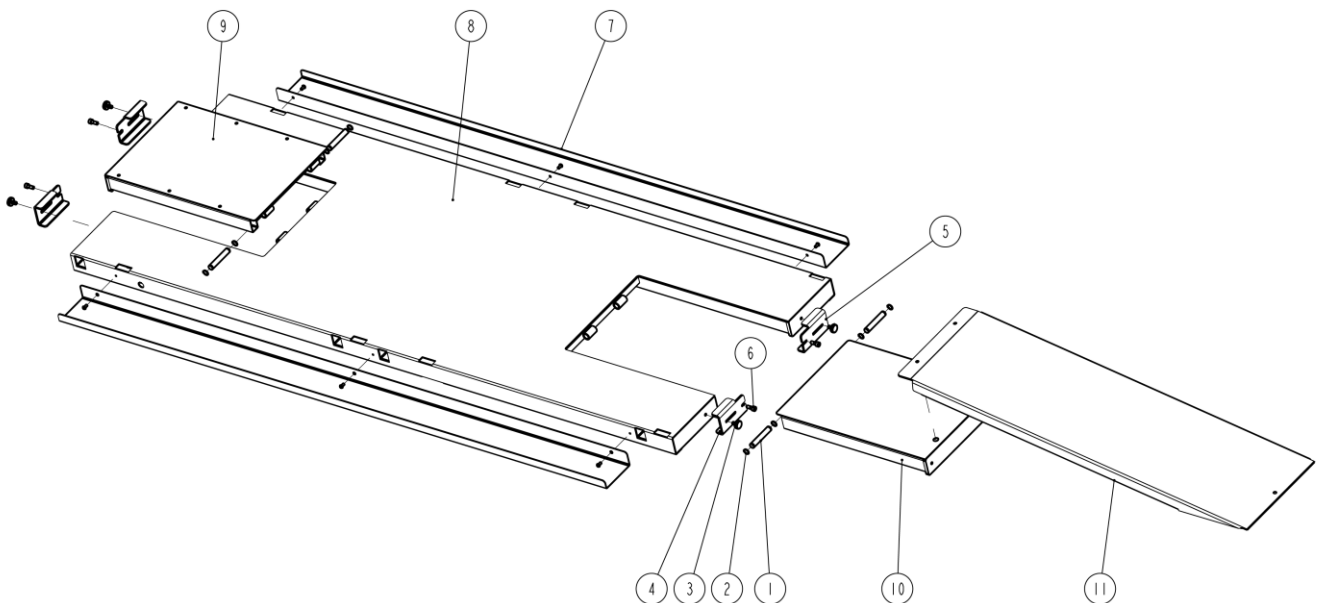
POS.	Code	Component name	Specification	Qty
1	208101028	Clamp	D15	1
2	202101003	Cross socket cap head screw	M5x6	1
3	202101029	Cross socket cap head screw	M6x12	7
4	202309001	Adjustable bolt	M8x22	4
5	420040020	20 line protective ring	6254E-A22	1
6	615068029	Base plate for power unit	MLH800-A06-B01	1
7	614901033	Base frame	MLH800-A01	1
8	614901033	Cover for the power unit	MLH800-A06-B02	1

Support arm


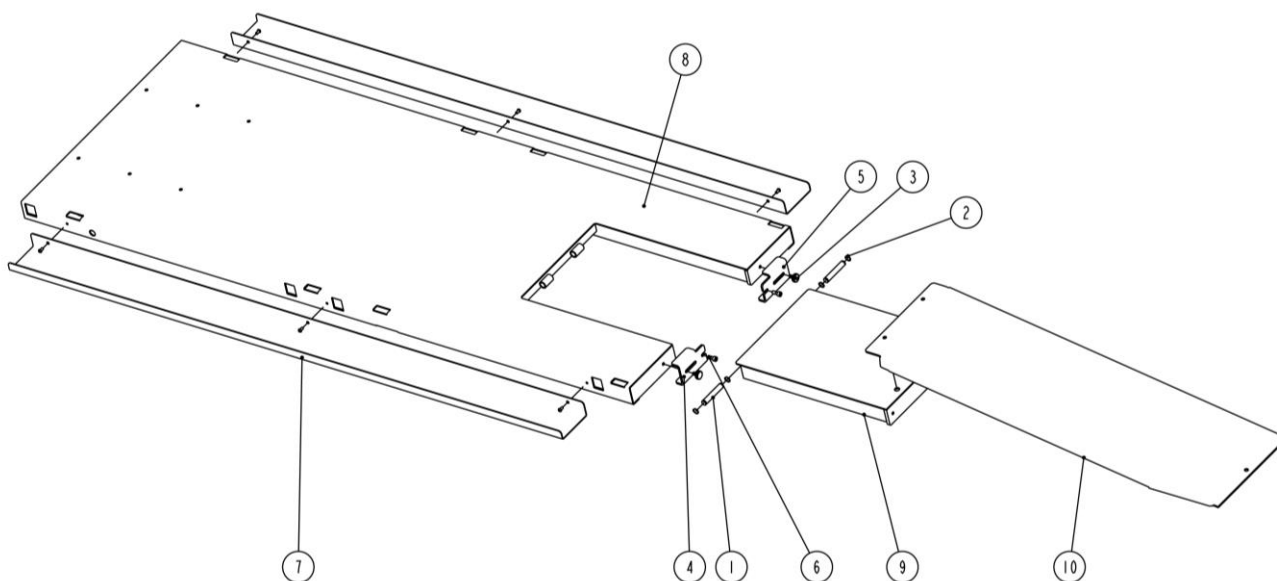
POS.	Code	Component name	Specification	Qty
1	410901620	Downside shaft	MLH1000V2-A4-B3	1
2	410901621	Upside shaft	MLH1000V2-A4-B4	1
3	410488001	Pin shaft	MLH800-A02-B03	2
4	420480440	Sliding block	MLH800-A02-B04	4
5	206201001	Cotter pin	D2_5X30-GB91	2
6	205101094	Bushing	2540-SF-1X	4
7	205101013	Bushing	2548-SF-1X	4
8	204101006	Flat washer	D10-GB95	2
9	204101011	Flat washer	D20-GB95	2
10	204101012	Flat washer	D24-GB95	2
11	202109042	Hex socket cylinder head screw	M10X25-GB70_1	2
12	206201013	Cotter pin	M1_6X20	1
13	203103012	Tightening nut	M20-GB889_1	2
14	202109028	Hex socket cylinder head screw	M8X16-GB70_1	4
15	208106002	Oil cup	M8YP-JB9740_4	6

POS.	Code	Component name	Specification	Qty
16	420040030	Hose and wire protective ring	6254E-A21	4
17	420040010	Anti-shock pad	6254E-A23	2
18	615068025	installation plate for electromagnet	MLH800-A02-B09	1
19	625000001	Hydraulic cylinder	YG70_83-38-365	1
20	614901034	inner side support arm	MLH800-A02-B01	1
21	614901035	outside support arm	MLH800-A02-B02	1
22	612067014	Left side claw	MLH800-A02-B05	1
23	612067015	Right side claw	MLH800-A02-B06	1
24	614901036	Connection plate of the locking device	MLH800-A02-B07	1
25	612067016	End side pin shaft	MLH800-A02-B08	4

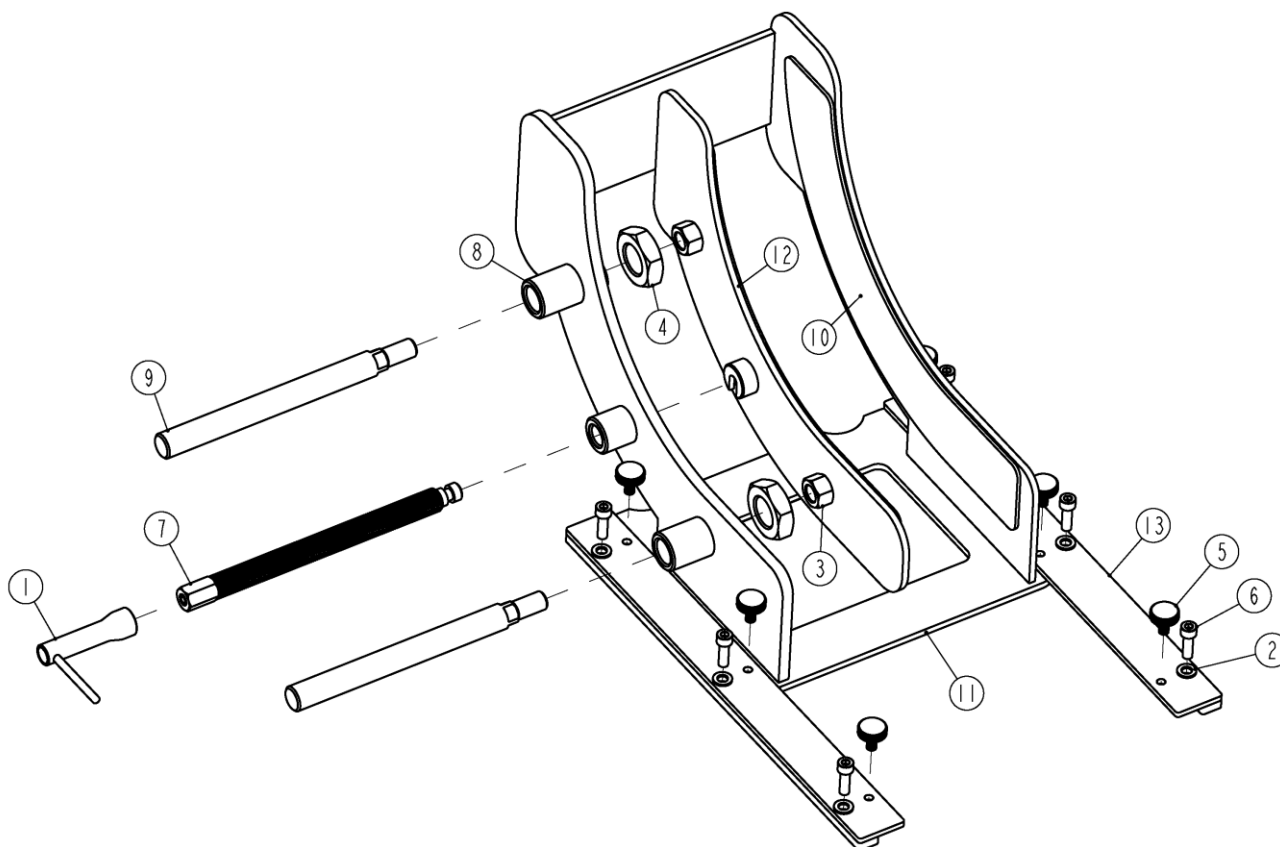
Platform for EE-MLH10D



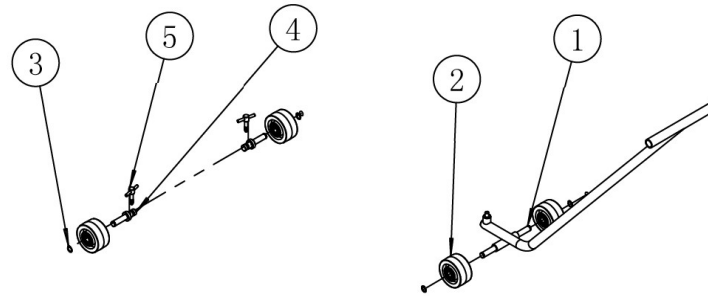
POS.	Code	Component name	Specification	Qty
1	410901432	Shaft of the drop-down plate	MLH800-A03-B06	4
2	204301004	Circlip	D15-GB894_1	8
3	208109004	Screw knob	M8X20	4
4	410901317	Support plate	MLH800-A03-B03	2
5	410901318	Support plate 2	MLH800-A03-B04	2
6	202109029	Hex socket cylinder head screw	M8X20-GB70_1	4
7	615068151	Tool tray	MLH1000V2-A11	1
8	614901083	Platform	MLH1000V2-A03-B01	1
9	614901084	Front drop-down plate	MLH1000V2-A03-B02	1
10	614901039	Rear drop-down plate	MLH800-A03-B02	1
11	614901040	Drive-on ramp	MLH800-A03-B05	1

Platform for EE-MLH10


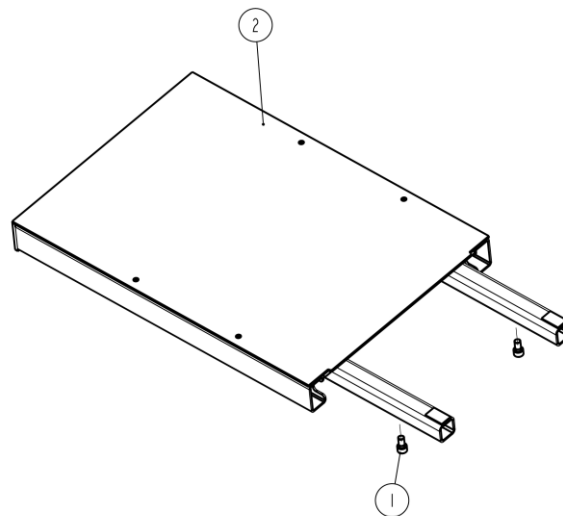
POS.	Code	Component name	Specification	Qty
1	410901432	Shaft of the drop-down plate	MLH800-A03-B06	2
2	204301004	Circlip	D15-GB894_1	4
3	208109004	Screw knob	M8X20	2
4	410901317	Support plate	MLH800-A03-B03	1
5	410901318	Support plate 2	MLH800-A03-B04	1
6	202109029	Hex socket cylinder head screw	M8X20-GB70_1	2
7	615068151	Tool tray	MLH1000V2-A11	1
8	614901038	Platform	MLH800-A03-B01	1
9	614901039	Rear drop-down plate	MLH800-A03-B02	1
10	614901040	Drive-on ramp	MLH800-A03-B05	1

Width adjustable wheel-clamp


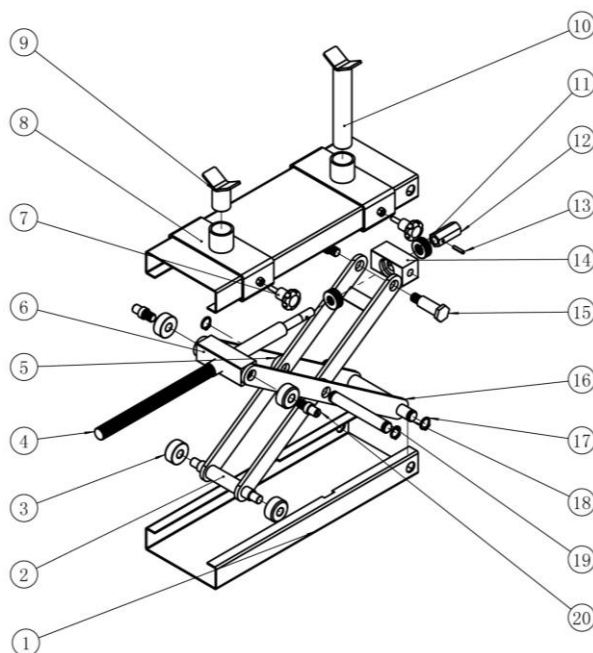
POS.	Code	Component name	Specification	Qty
1	910106053	T-handle	19MM	1
2	204101005	Flat washer	D8-GB95	6
3	203103020	Type I hex threaded nut	M16-GB6171	2
4	203101015	Hex thin nut	M30-GB6172_1	2
5	208109004	Screw knob	M8X20	6
6	202109030	Hex socket cylinder head screw	M8X25-GB70_1	6
7	612048020	Threaded rod	MLH1000-A10-B2	1
8	410901433	Guiding sheath	MLH1000V2-A10-B01-C02	2
9	410901434	Guiding rod	MLH1000V2-A10-B04	2
10	420680065	Rubber pad	MLH1000V2-A10-B06	2
11	614901728	Clamp bracket	MLH10D-A3-B1	1
12	614901729	Clamping plate	MLH10D-A3-B2	1
13	614901041	Fixation plate	MLH800-A05-B01	2

Annex 4, Exploded drawings and parts list for optional parts
1. 792410001- Kit Portable


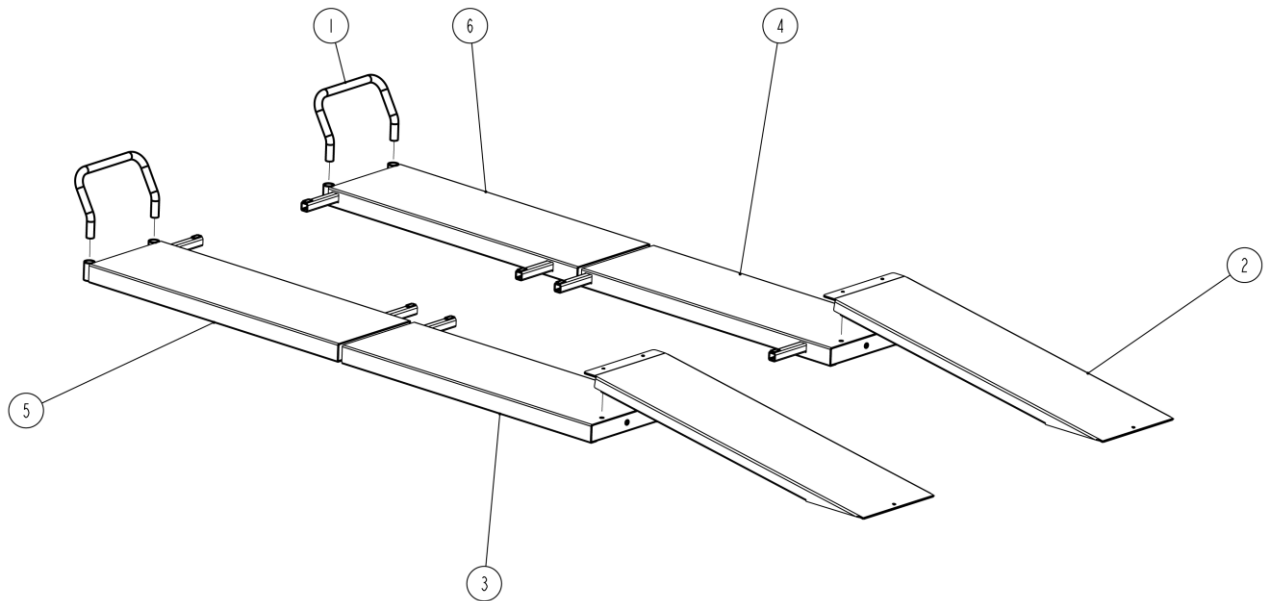
Pos.	Code	Component name	Specification	Qty
	792410001	Portable Kit	MLH1000-A5	
1	614048016	Pull rod	MLH1000-A5-B1	1
2	420480100	Wheel	MLH1000 Φ 100*45mm	4
3	204301006	Circlip	M17	4
4	410481481	Wheel shaft	MLH1000-A5-B2	2
5	612048017	Locking handle	MLH1000-A5-B3	2

2. 792410101 -Lengthwise Platform Extension


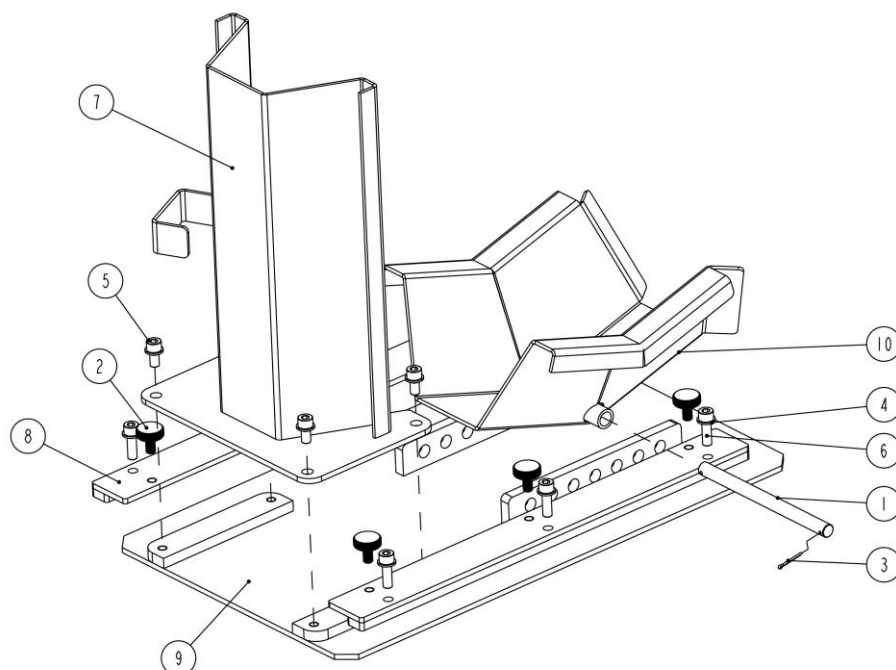
Pos.	Code	Component name	Specification	Qty
	792410101	Lengthwise Platform Extension	MLH1000V2	
1	614901089	Front platform	MLH1000V2-A08-B01	1
2	202109028	Hex socket cylinder head screw	M8x16	2

3. 615048004-Manual lifting jack


Pos.	Code	Component name	Specification	Qty
	615048004	Manual lifting jack	MLH1000-A8	
1	410480811	Base holder	MLH1000-A8-B1	2
2	614048003C	Support bracket II	MLH1000-A8-B11	1
3	410480671	Wheel	MLH1000-A8-B2	4
4	410480341B	Threaded swivel	MLH1000-A8-B9	1
5	410480690	Washer	MLH1000-A8-B3	2
6	410480331	Moving block	MLH1000-A8-B8	1
7	410480410	Handle	M6*32*25	2
8	612048007	Support beam	MLH1000-A8-B16	2
9	612048004	Support rod	MLH1000-A8-B14	2
10	612048006	Long support rod	MLH1000-A8-B15	2
11	205201004	Ball bearing 51201	51201	2
12	410480381C	Swivel sheath	MLH1000-A8-B13	1
13	206102011	Elastic post pin	M5*20	1
14	410480451	Fixation block	MLH1000-A8-B5	1
15	410480311	Pin shaft	MLH1000-A8-B6	2
16	614048002C	Support bracket I	MLH1000-A8-B10	1
17	204301005	Circlip	M16	4
18	410480321	Downside shaft	MLH1000-A8-B7	1
19	410480301	Middle shaft	MLH1000-A8-B4	1
20	410480371	Upside shaft	MLH1000-A8-B12	2

4. 792410102-widewise platform extension


Pos.	Code	Component name	Specification	Qty
	792410102	wide wise platform extension	(2200mmx350mm)	1
1	410901491	Wheel stop	MLH1000V2-A07-B05	2
2	614901040	Ramp	MLH800-A03-B05	1
3	614901085	Left side platform	MLH800-A07-B01	4
4	614901086	Right side platform	MLH800-A07-B02	1
5	614901087	Front-left side platform	MLH800-A07-B03	2
6	614901088	Front-right side platform	MLH800-A07-B04	1

5. Fixed width wheel-champ


POS.	Code	Component name	Specification	Qty
1	410488041	Bolt	MLH800-A05-B05	1
2	208109004	Threaded knob	M8X20	6
3	206201012	Cotter pin	D2X20	2
4	204101005	Flat washer	D8-GB95	10
5	202109028	Hex socket cylinder head screw	M8X16-GB70_1	4
6	202109030	Hex socket cylinder head screw	M8X25-GB70_1	6
7	614901043	Vertical wheel holder	MLH800-A05-B03	1
8	614901041	Fixation plate	MLH800-A05-B01	2
9	614901042	Base frame	MLH800-A05-B02	1
10	614901044	Rotational clamping plate	MLH800-A05-B04	1