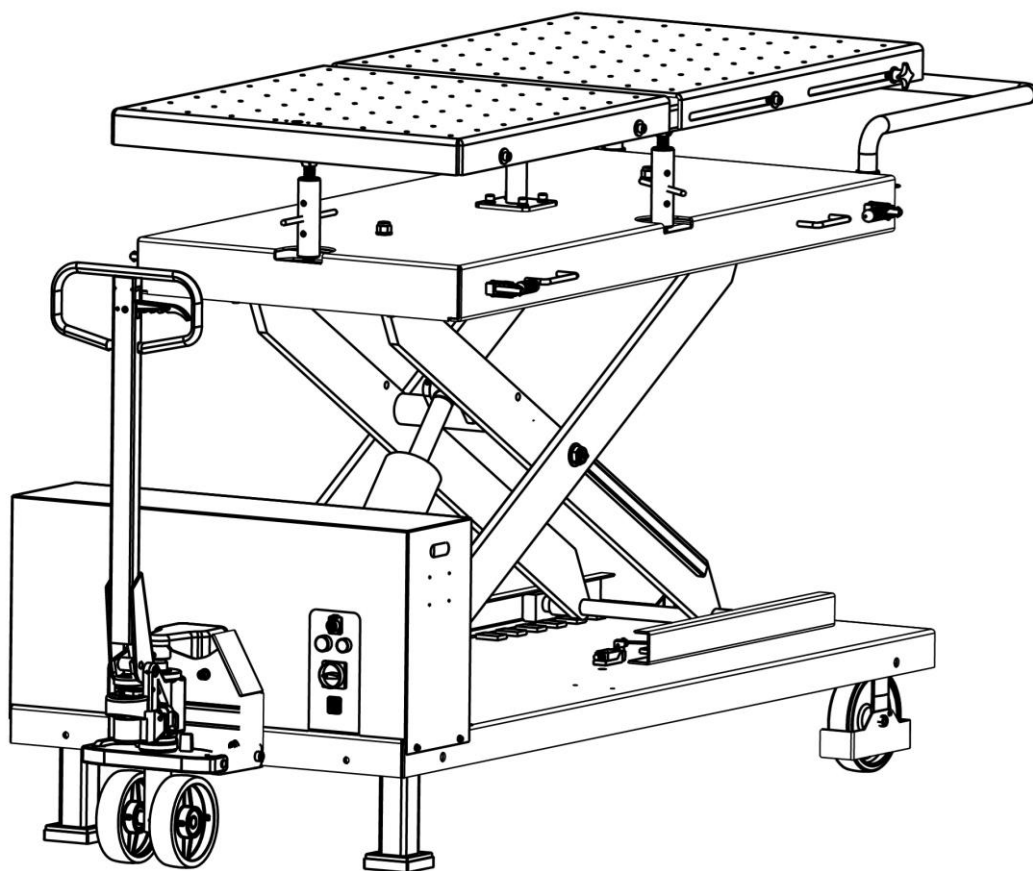


Model No. EE-MS12M
Mobile Lifting Table
Lifting Capacity, 1200KG/2700lbs.

TRANSLATED VERSION
Installation, Operation
and Parts Manual



EAE



Distributed by

Please read this entire manual carefully and completely before installation or operation of the lift.

13/07/2024

www.eae-ae.com

IMPORTANT NOTES

Before start up, connecting and operating EAE products, it is absolutely essential that the operating instructions/owner's manual and, in particular the safety instructions are studied carefully. By doing so you can eliminate any uncertainties in handling EAE products and thus associated safety risks up front; something which is in the interest of you own safety and will ultimately help avoid damage to the device, When an EAE product is handed over to another person, not only the operating instructions but also the safety instructions and information on its designated use must be handed over to the person.

By using the product you agree the following conditions:

Copy right

The enclosed instructions are the property of EAE or its supplier, and are protected against duplication and reproduction by copyright laws, international agreements, and other domestic legislation. The reproduction or disclosure of instructions or an extract thereof is prohibited and offenders are liable to prosecution; EAE reserves the right or initiates criminal proceedings and asserts claims for damages in the event of infringements.

Warranty

The use of non-approved hardware will result in a modification of our products and thus to the exclusion of any liability or warranty, even if such hardware has been removed again in the interim.

It is not permissible to make any changes to our products and these are not only to be used together with genuine accessories and genuine replacement parts. Otherwise any warranty claims will be invalid.

Liability

The liability of EAE is limit to the amount that the customer has actually paid for this product. This exclusion of liability does not apply to damages caused through willful misconduct or gross negligence on the part of EAE.

All information in this manual is believed to be correct at time of publication.

EAE reserves the right to amend and alter technical data and composition without prior notice.

Please confirm at time of ordering.

IMPORTANT NOTES	2
SAFETY NOTES	4
1.1 Operation of the lifting table	4
1.2 Checking of the lifting platforms	4
1.3 Important safety notices	4
1.4 Noise	5
1.5 Warning labels	5
PACKING, STORAGE AND TRANSPORTATION	6
2.1 The lift was packed as whole for transportation	6
2.2 Storage	6
2.3 Lifting and handling	6
PRODUCT DESCRIPTIONS	7
3.1 General descriptions	7
3.2 Construction of the lift	7
3.3 Technical data	7
3.4 Dimensions	8
INSTALLATION	9
COMMISSION	11
4.1 Fill the oil reservoir with hydraulic oil	11
4.2 Safety instructions	11
4.3 Control button descriptions	12
4.4 Use the pallet jack	12
4.5 Use the lifting platform	12
TROUBLE SHOOTING	14
MAINTENANCE	15
Annex 1, Electrical diagrams and parts list	16
Annex 2, Hydraulic diagrams and parts list	20
Annex 3, Exploded mechanical drawings and parts list	23

SAFETY NOTES

1.1 Operation of the lifting table

This mobile lifting table is designed for dismantling and fixing batteries of electric vehicles as well as engine, gearbox, drive axle, fuel tank, suspension, bracket and chassis components of traditional vehicles. Users are not allowed to use it for any other purposes. The applicable national regulations, laws and directives must be observed.

Only users aged 18 or above who have been instructed on how to operate the lifting table and have proven their ability to do so to the owner are to be entrusted with unsupervised operation of the lifting table. The task of operating the lifting table must be granted in writing.

Before loading onto the lifting table, users should study the original operation instructions and familiarize themselves with the operating procedures in several trial runs.

Lift within the rated load. Don't attempt to raise with excessive weight.

1.2 Checking of the lifting platforms

Checks are to be based on the following directives and regulations:

- Basic principles for testing lifting tables
- The basic health and safety requirements
- Harmonized European standards
- The applicable accident prevention regulations

The checks are to be organized by the user. The user is responsible for appointing an expert or qualified person to perform checking. It must be ensured that the person chosen satisfies the requirements.

The user bears special responsibility if employees of the company are appointed as experts or qualified persons.

1.3 Important safety notices

1.3.1 Recommend for indoor use only. DO not expose the lift to rain, snow or excessive moisture.

1.3.2 Only use this lift where the altitude is within 1000 meters and where the foundation is stable and capable of sustaining the load. Do not use on any asphalt surface.

1.3.3 Read and understand all safety warnings before operating the lift.

1.3.4 Keep hands and feet away from any moving parts. Keep feet clear of the lift when lowering.

1.3.5 Only these properly trained personnel can operate the lift.

1.3.6 Do not wear unfit clothes such as large clothes with flounces, ties, etc., which could be caught by moving parts of the lift.

1.3.7 To prevent evitable incidents, surrounding areas of the lift must be tidy and with nothing unsecured.

1.3.8 Lift within the rated capacity.

1.3.9 Lower the lift to its lowest position and do remember to turn off the power when service finishes.

1.3.10 do not modify without manufacturer's advice.

1.3.11 Wear the appropriate personal protection equipment when moving the lifting table such as safety helmet, safety shoes, safety gloves, etc.

1.3.11 If the lift is going to be left unused for a long time, users are required to:

- a. Disconnect the power;
- b. Empty the oil tank;
- c. Lubricate the moving parts with hydraulic oil.

WARNING: The warnings, cautions and instructions discussed in this instruction manual cannot cover all possible conditions and situations that may occur. It must be understood by the operator that common sense and caution are factors which cannot be built into this product, but must be supplied by the operator.































1.4 Noise

The noise during normal working is less than 70 dB (A)

1.5 Warning labels

All safety warning labels are clearly depicted on the lift to ensure that the operator is aware of and avoid the dangers of using the lift in an incorrect manner. The labels must be kept clean and they have to be replaced if detached or damaged. Please read carefully the meaning of each label and memorize them for future operation.

DO NOT ENTER UNDER THIS PLATFORM UNLESS IT IS MECHANICALLY LOCKED

 CAUTION	 CAUTION	 CAUTION
 Read and digest the complete operation instructions before operating the lifting table.	 Prior to move the table the load platform must have been lowered fully.	 Use only when the lifting table is in a static position. Lock the casters when necessary.
 CAUTION	 CAUTION	 CAUTION
 Before raising operation, run the lifting table without load for a complete cycle to ensure it is in good condition.	 Ensure the load is centered over the carrying table.	 The space under or around load carrying table shall be free of obstructions before use.
 CAUTION	 CAUTION	 CAUTION
 The load carrying table shall be observed by the operator throughout the motion of the table.	 Avoid excessive rocking the lifted load or the carrying table.	 In case of trouble or disruption, turn off the main switch and make sure it cannot be switched on again unintentionally. Inform the supervisor.
 WARNING	 DANGER	The instructions, cautions and warnings written above as well as in the Manual cannot cover all possible conditions and situations that may occur. The Common sense for safety must be always in the mind of the operator. For damages caused through willful misconduct or gross negligence, the manufacturer or its distributors are excluded of liability.
 Don't use on a slope of greater than 2.5 %.	 Load within the maximum load capability. Do not attempt to lift goods with excessive length or width.	
 WARNING	 DANGER	
 Don't use outdoor in strong breeze with the wind speed being more than 14 m/s.	 Keep hands, feet and other parts of the body away from the moving parts to avoid pinching or shearing.	
 WARNING	 DANGER	
 It is for carrying goods only. Travelling on the load carrying platform is forbidden.	 Never try to remove, interrupt or modify the safety related components or devices.	

PACKING, STORAGE AND TRANSPORTATION

Packing, lifting, handling, transporting operations must be performed only by experienced personnel with appropriate knowledge of the lift and after reading this manual.

2.1 The lift was packed as whole for transportation

<i>Item</i>	<i>Packed by</i>	<i>Dimension</i>	<i>Weight(kg)</i>	<i>Quantity</i>
<i>MS12M mobile lifting table</i>	<i>Steel frame and carton</i>	2230*1020*730mm 87 13/16"x40 3/16"x28 3/4"	Approx.750 kg Approx.1650lbs.	1

2.2 Storage

The packs must be kept in a covered and protected area in a temperature range of -10°C to +40°C. They must not be exposed to direct sunlight, rain or water.

Stacking the packs

We advise against stacking because the packs are not designed for this type of storage. The narrow base, heavy weight and large size of the packs make stacking difficult and potentially dangerous.

If stacking is unavoidable, use all appropriate precautions:

-never stack more than 2 meters in height.

-never make stacks of single packs. Always stack pairs of packs in a cross pattern so that the base is bigger and the resulting stack is more stable. Once the stack is complete, restrain it using straps, ropes or other suitable methods.

A maximum of three packs can be stacked on lorries, in containers, and in railway wagons, on condition that the packs are strapped together and restrained to stop them falling.

2.3 Lifting and handling

The packs can be lifted and transported only by using truck lifts.

Opening the packs

When the lift is delivered, make sure that it has not been damaged during transportation and that all the parts are present.

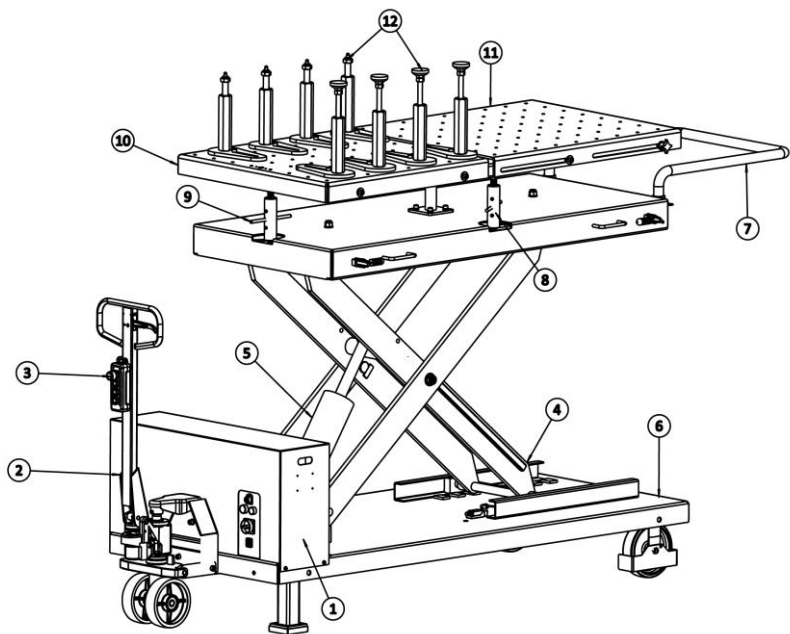
Packs must be opened adopting all the precautions required to avoid injury to persons (keep at a safe distance when cutting the straps) or damage to parts of the machine (be careful that no parts are dropped while you are opening the packs)

PRODUCT DESCRIPTIONS

3.1 General descriptions

This mobile lifting table, which is hydraulic driven with mechanical safety locking protection, is designed for dismantling and fixing batteries of electric vehicles as well as engine, gearbox, drive axle, fuel tank, suspension, bracket and chassis components of traditional vehicles. The mobile and compact structure make it easily enter into the service space. With a maximum lifting capacity of 1200kg and reserved holes (100mm*100mm) on the working table for positioning and fixing components with specialized fixtures. The suspend platform can tilt within a height of 40 mm.

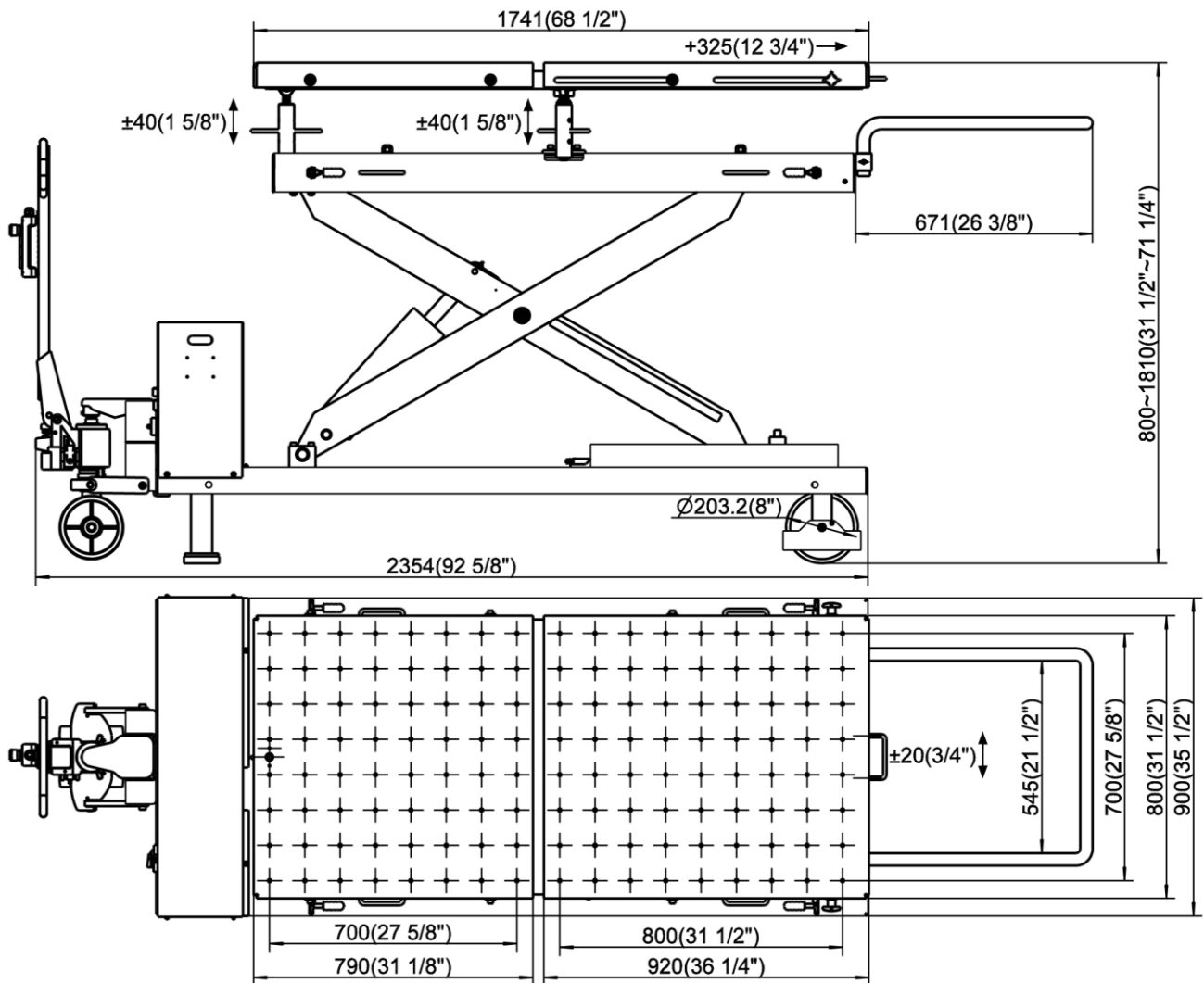
3.2 Construction of the lift



1. Power unit
2. Mobile jack
3. Hand-held control unit
4. Support arm
5. Hydraulic cylinder
6. Base frame
7. Hand-held bar
8. Side-tilt adjusting device
9. Front-tilt adjusting device
10. Fixed side of suspended platform
11. Extendable side of suspended platform
12. Adapters (Optional)

3.3 Technical data

Model	EE-MS12M
Rated capacity	1200kg/2700 lbs.
Motor	1.5kW
Voltage	220V-1Ph-50Hz 230V-1Ph-50Hz 110V-1Ph-60Hz 220V-1Ph-60Hz 100V-1Ph-50 Hz /60Hz
Full rise time with rated load (normal speed)	Approx.45s
Full rise time with rated load (slower speed)	Approx.100s
Full descent time with rated load	Approx.40s
Hydraulic pressure	Approx.16 MPa /2300 psi
Oil reservoir	4L / 4.2quarts

3.4 Dimensions


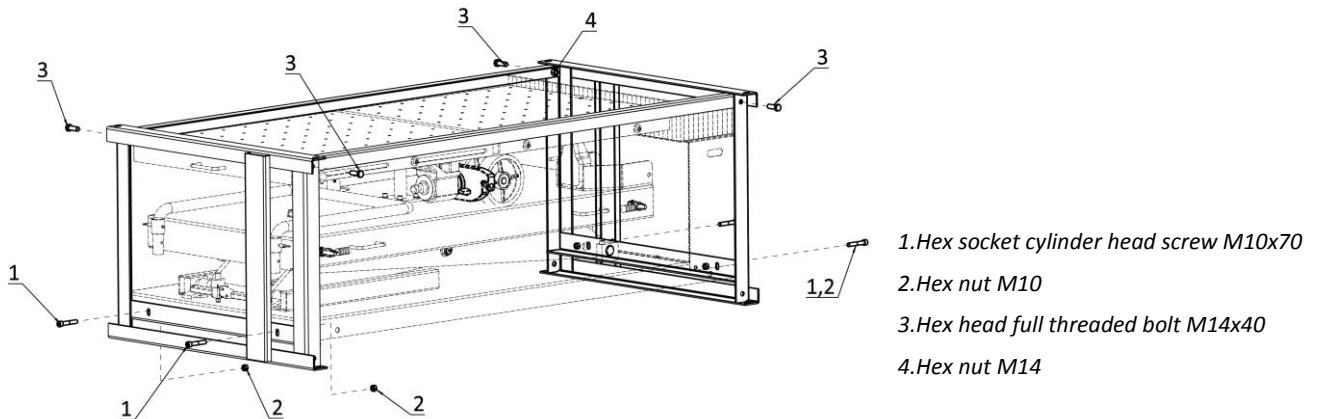
INSTALLATION

ONLY TRAINED AND QUALIFIED INSTALLERS CAN PERFORM LIFT INSTALLATION DUTIES.

Step 1: Remove the packing frames and take out accessories placed under the platform.

Prepare 2 wooden battens with thickness being more than 100mm and length being more than 700mm. (other dependable devices may also applicable). Forklift the packing rack onto two of the battens so as to make its base be clear off the ground.

Unscrew all bolts that fixing the lifting table and its packing frame and take out the accessories placed under the platform.

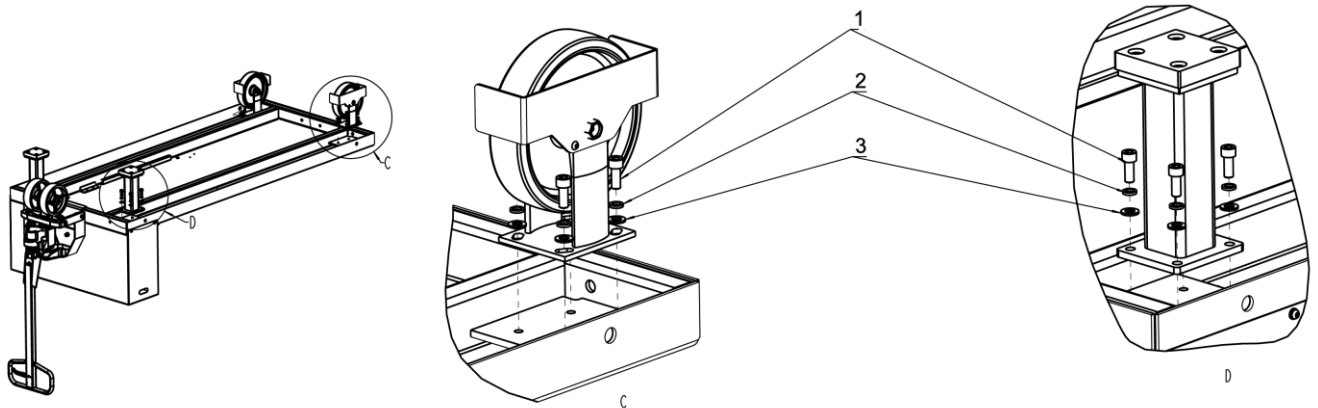


- 1.Hex socket cylinder head screw M10x70
- 2.Hex nut M10
- 3.Hex head full threaded bolt M14x40
- 4.Hex nut M14

Attention: take care and do not to scratch the paint surface.

Step 2: Install the stands and casters.

Forklift the base of the lifting table to make there's enough space to fixing the two stands and two casters.



- 1.M 10x25 hex socket cylinder head screw
- 2.Flat washer D10
- 3.Split washer D10

Step 3: Install the jack.

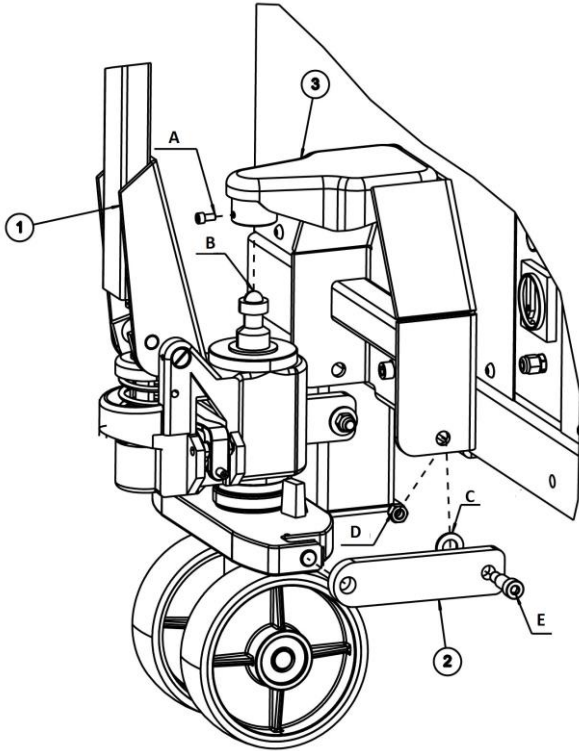
Put the steel ball B into position as indicated in the following FIGURE.

Untighten screw A attached with the component 3.

Insert ball B into component 3.

Connect component 3 and component 2 as indicated.

Tighten the screw A.



A: Hex socket cylinder head screw M6x12

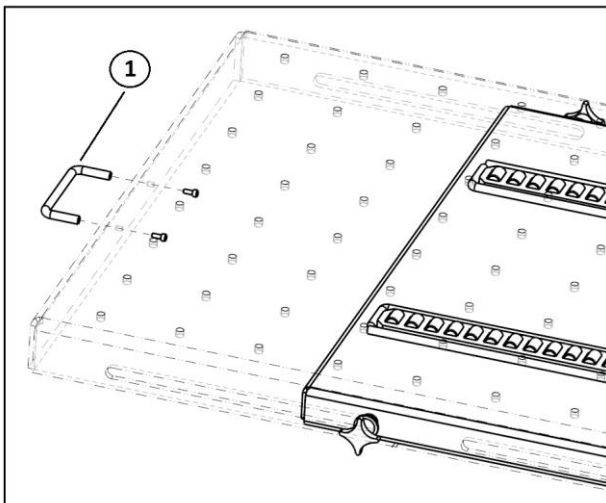
B: Steel ball

C: Flat washer D14

D: Locking nut M10

Step 4: Install the handle .

Tighten the handle (Pos.1) with the platform extending section by two hex socket cylinder head screws M5x12.



COMMISSION

Only authorized persons are allowed to operate the lifting table.

Read and digest the complete operation instructions before operating the lifting table.

4.1 Fill the oil reservoir with hydraulic oil

ONLY CLEAN AND FRESH OIL ONLY

Lift must be fully lowered before changing or adding hydraulic oil.

Fill about 3 liters (3.2 quarts) into the oil tank to run the lift up and down for 2 or 3 cycles.

It is suggested to use HM NO.46 hydraulic oil when average temperature of the location is above 18 degree Celsius and using HM NO.32 hydraulic oil when temperature is below 10 degree Celsius. Change the oil 6 months after initial use and once per year thereafter.

4.2 Safety instructions

Use the lift after carefully reading the instruction manual and understand the contents for safe and proper use.

4.2.1 Before commissioning

- [Wear the appropriate personal protection equipment when moving the lifting table such as safety helmet, safety shoes, safety gloves, etc.](#)
- This lifting table is only designed for loading batteries and engine, gearbox, drive axle, fuel tank, suspension, bracket and chassis components. Do not use for any other purpose.
- Don't use on a slope of greater than 2.5 %.
- Don't use outdoor in strong breeze with the wind speed being more than 14 m/s.
- Lower the pallet jack and use only when the lifting table is in a static position.
- Prior to move the lifting table, its load platform must have been lowered fully.
- Before loading operation, run the lifting table without load for a complete cycle to ensure it is in good condition.
- Do not use the lifting table whenever any of the safety devices are not operating properly.
- The space under or around load carrying table shall be free of obstructions before use.
- Check and remove oil or foreign materials on the lifting platform.
- Check if the safety lock device is working properly before operation.

4.2.2 During commissioning

- The load shall be centered and well fixed on the carrying table.
- Do not attempt to raise or lower whatever loads that exceed the rated capacity.
- Only raise and lower after verifying that load is properly positioned or fixed.
- Travelling on the load carrying platform is forbidden
- The load carrying table shall be observed by the operator throughout the motion of the lift table.
- Do not shake the load during raising or lowering the lifting table. If the load is tilting to one side, stop the motion of the lift immediately.
- Keep hands, feet and other parts of the body away from the moving parts to avoid pinching or shearing.
- Prohibit unauthorized persons from accessing the lifting table.
- When lowering lifting table, make sure nothing will interfere with its descent.

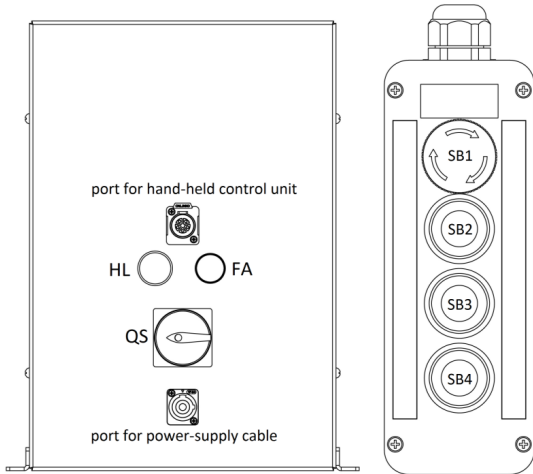
4.2.3 Others

- This lifting table is not designed to be waterproof. Do not use it in environment with excessive moisture.
- Do not use this lifting table in explosive environment.
- Only move the lifting table when it is completely lowered.
- When the lifting table is not in use, lower it completely.
- Prohibit unauthorized persons from using the lifting table.
- Do not change or modify without permission. Otherwise the lift may not operate properly, or a serious accident may occur.
- If you find a problem with the lifting table during use or inspection, stop using it and request maintenance. Do not use until it is

repaired.

- Use the lifting table after reading the instruction manual carefully and understand the contents of them for safe and proper use.

4.3 Control button descriptions



Pos.	Description	Function
QS	Main switch	Turn on or off the main power supply
HL	Power indicator	Display if power supply is connected
SB1	Stop button	Turn off the hand-held control
SB2	UP button	Push to rise slowly
SB3	UP button	Push to rise normally
SB4	DOWN button	Control the lowering movement
FA	Buzzer	Audible warning for overloading and descent

In case of overloading at raised position, it shall not possible for the platform to start from the rest. The load exceeded has to be removed in order to restore to normal working state.

4.4 Use the pallet jack

Prior to move the table, the load platform must have been lowered fully.

The pallet jack is used to move the lift by lifting its base off the floor.

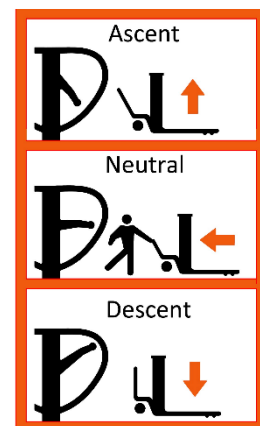
Always descend the base onto the floor before raising.

The pallet jack is operated by a hand grip and a lever inside the grip.

Push down the LEVER and move up and down the hand grip to raise the base frame of the lift.

Keep the LEVER at neutral position when moving the lift .

Pull up the LEVER to descend the base frame of the lift.



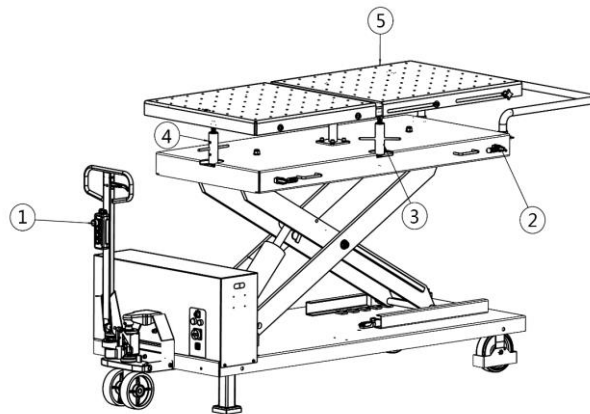
4.5 Use the lifting platform

Before loading operation, run the lifting table without load for a complete cycle to ensure it is in good condition.

Get familiar with lift controls by running the lift without load through a few cycles.

The load carrying table shall be observed by the operator throughout the motion of the lift table.

Do not try to move the lifting table when its platform is raised with load. ONLY move when the lifting table is completely lowered.



Pos.	Description	Functions
1	Hand-held control unit	Control raising and lowering movement.
2	Swing device	The lower platform can be horizontally moved within 40mm by releasing the grips. When there is a slight deviation to align the fixture, release the grip and the lower platform can be moved to certain position that is suitable to align the fixture with the intended load. When the alignment is finished, push the grip back to make the platform static.
3	Tilting device	In case the intended load is not perfectly horizontal, tilt the platform slightly can assure better contact between the platform and load. Tilt by adjusting the height treaded bolt.
4	Tilting device	In case the intended load is not perfectly horizontal, tilt the platform slightly can assure better contact between the platform and load. Tilt by adjusting the height treaded bolt.
5	Extendable platform	Use when it is necessary to fix extra fixture during maintenance service or to carry longer loads.

Ascend

Ensure the load is centered over the carrying table.

1. Make sure that you have read and understood the operation manual before operation.
2. Push the lifting table under the load to be lifted. Lower the mobile pallet jack.
3. Push the UP button until expected height.
4. Turn off the power switch before starting service work.

Descend

When lowering the lift pay careful attention that all personnel and objects are kept clear.

1. Push the DOWN button until lower to expected height. Turn off the power switch.

Attention:

In case the mechanical safety locking plate is engaged and it is unable to lower the lifting platform, please check and push slightly the UP button to disengage the mechanical locking plate before pushing the DOWN button for lowering.

TROUBLE SHOOTING

ATTENTION: If the trouble could not be fixed by yourself, please do not hesitate to contact us for help .We will offer our service at the earliest time we can. By the way, your troubles will be judged and solved much faster if you could provide us more details or pictures of the trouble.

TROUBLES	POSSIBLE CAUSES	SOLUTIONS
Motor does not run and will not raise.	Loose wire connection	Check and make a good connection.
	Burnt motor.	Replace it.
Motor runs but will not raise.	Relief valve is not well screwed up or jammed.	Clean or make adjustment
	Damaged gear pump.	Replace it.
	Too low oil level.	Add oil.
	The hose connection is loose.	Tighten it.
	The cushion valve is not well screwed up or jammed.	Clean or make adjustment
The table goes down slowly after being raised.	The oil hose leaks.	Check or replace it.
	Untightened oil cylinder.	Replace the seal.
	The non-return valve leaks.	Clean or replace it.
	Solenoid unloading valve fails to work well.	Clean or replace it.
	Unloading valve leaks.	Check and adjust the tightness.
Raising too slow.	Jammed oil filter	Clean or replace it.
	Too low oil level.	Add oil.
	The relief valve is not adjusted to the right position.	Make adjustment.
	Too hot hydraulic oil (above 45°) .	Change the oil.
	Abraded seal of the cylinder	Replace the seal.
Lowering too slowly.	Jammed singe way throttle valve	Clean or replace it.
	Dirty hydraulic oil	Clean or replace.
	Jammed oil hose	Clean it.

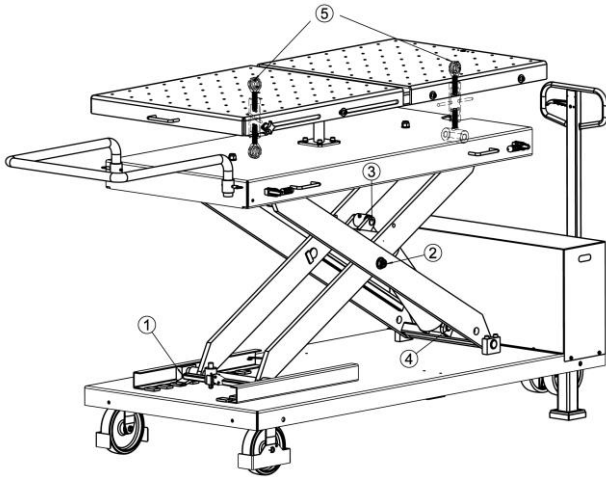
MAINTENANCE

Easy and low cost routine maintenance can ensure the lift work normally and safely.

Following are requirements for routine maintenance.

1. Lubrication before first use

Lubricate the moving parts with NO.1 lithium grease. Regularly add grease for every 3 months.

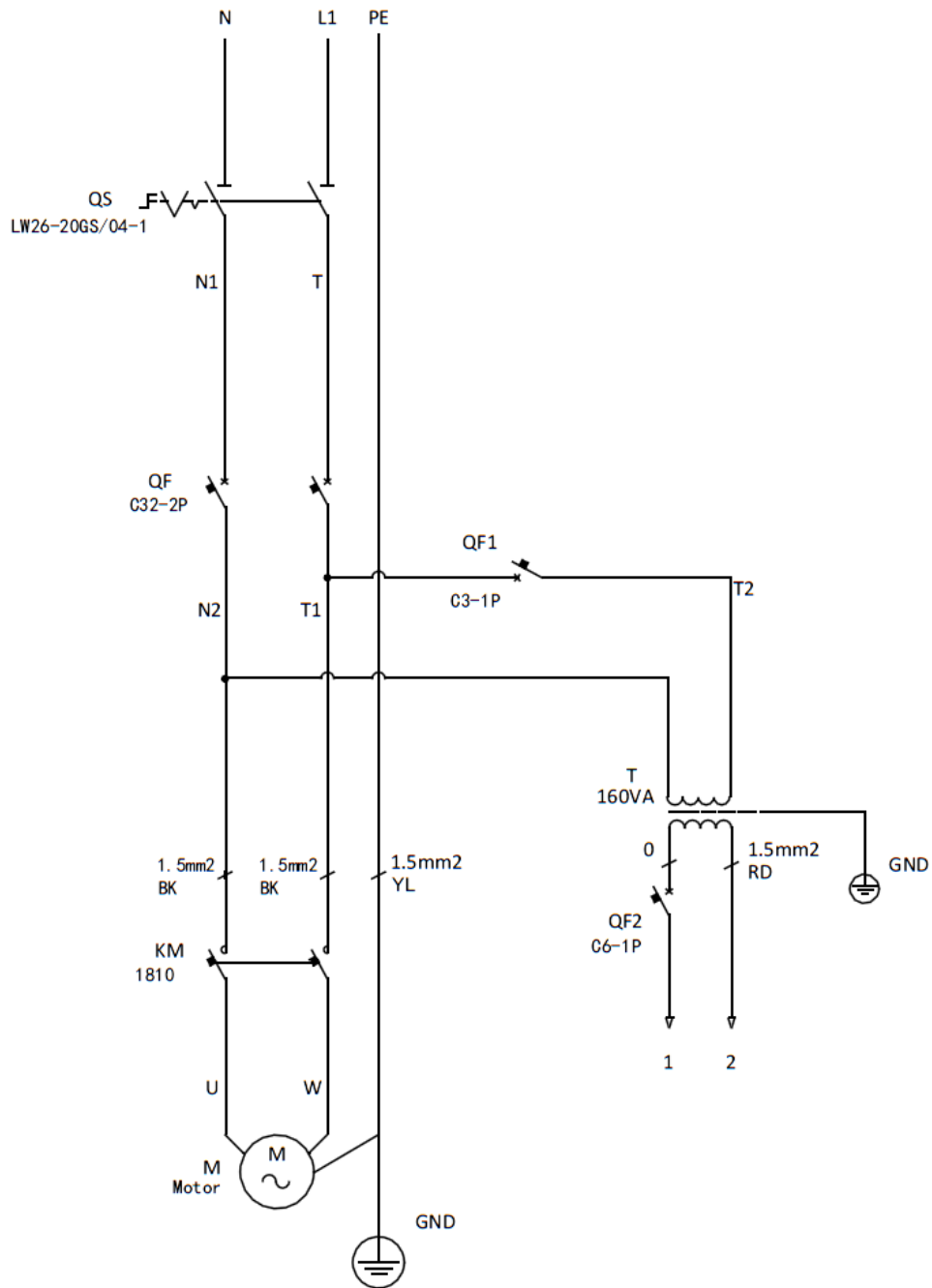


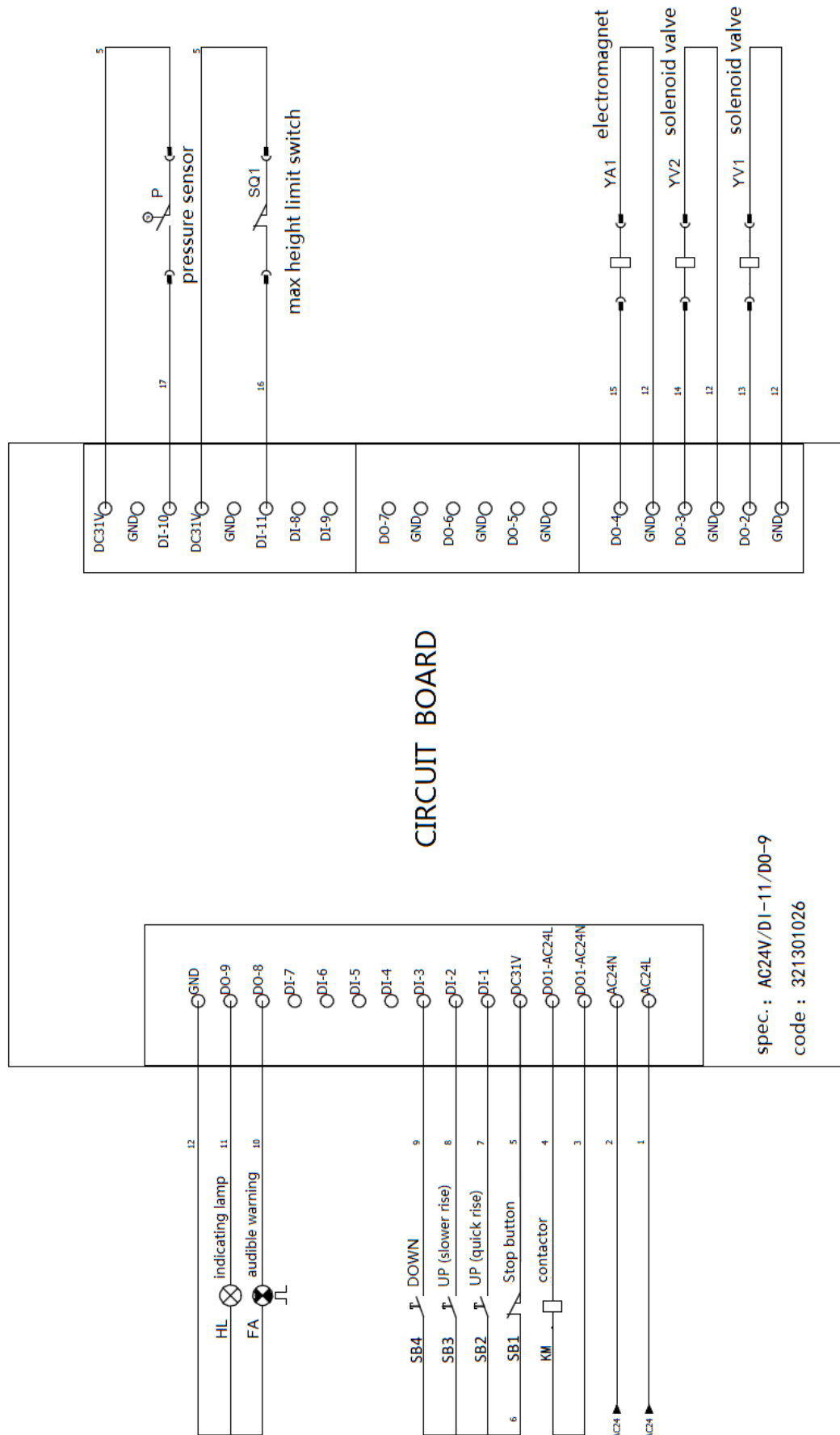
- ① Sliding blocks
- ② Middle shaft of the support arm
- ③ Upside shaft of the cylinder
- ④ Downside shaft of the cylinder
- ⑤ Threaded adjusting rod

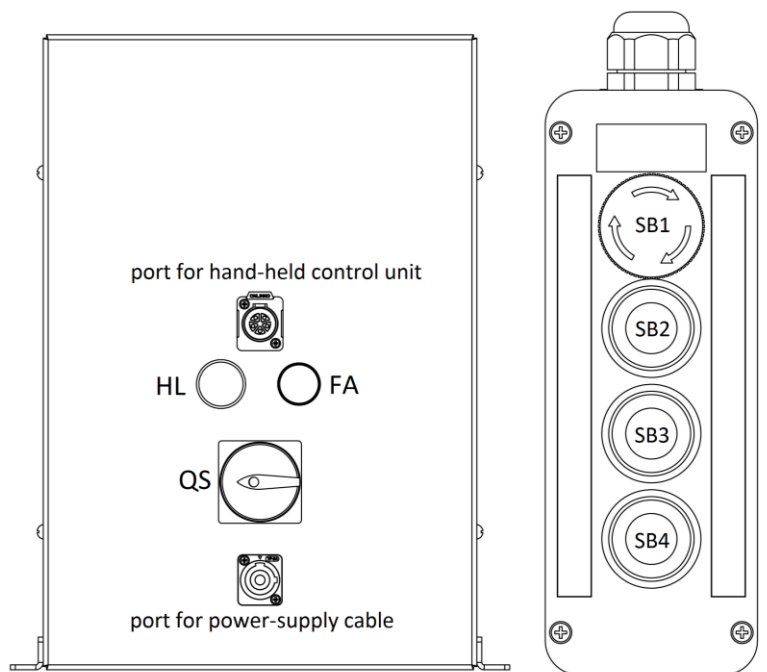
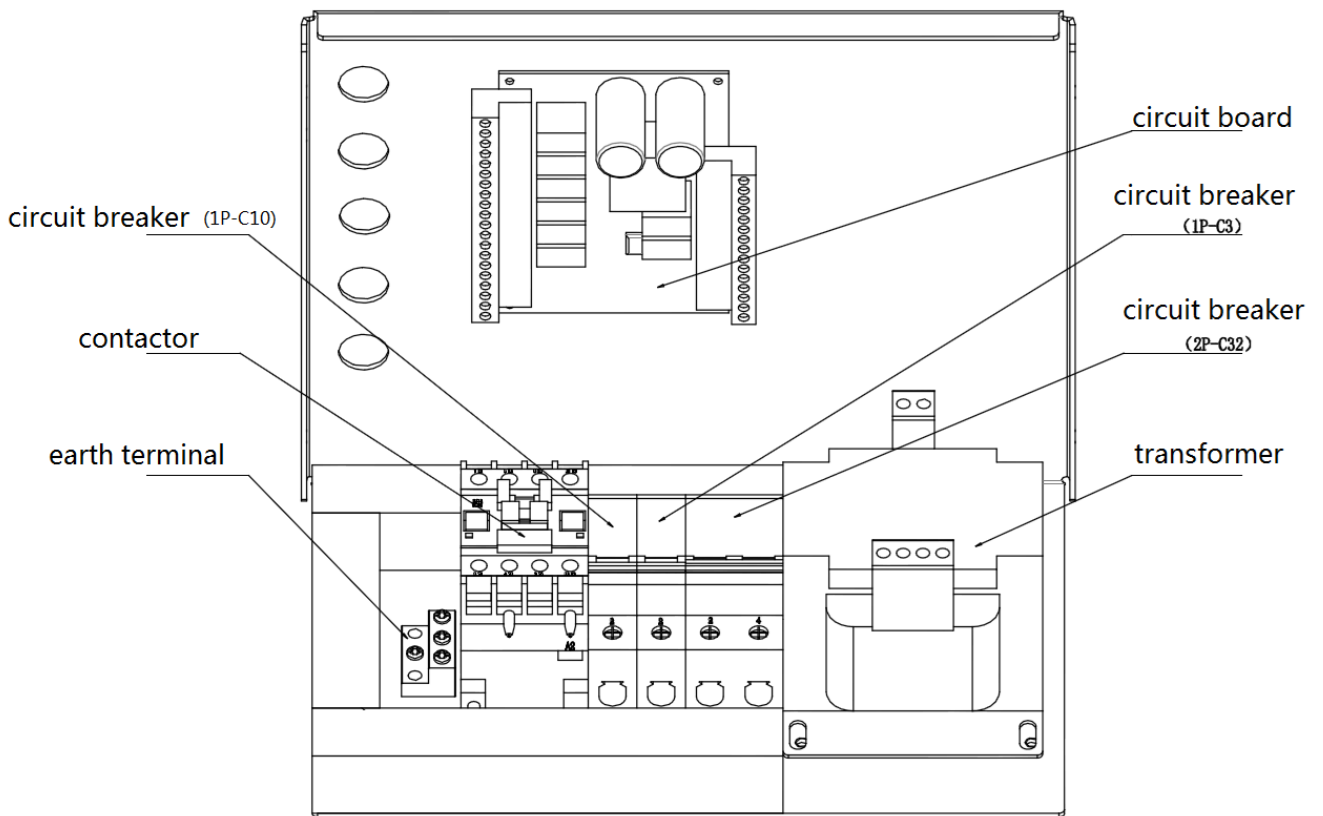
2. Routine maintenance

S/N	ITEM	METHODS	PERIOD
1	Foot casters	Push and turn around the lifting cable to check the flexibility of the casters.	Every day
2	Surface of the load-carrying platform	Inspect and wipe off the oil and stains before use.	Every day
3	Control buttons	Check if control buttons work as "hold- to -run " and check if they work as the function indicated.	Every day
4	Mechanical safety catch	Check if it can engage and disengage by pushing control buttons.	Every day
5	Circlip	Inspect if any circlip goes off its groove. Make sure they are positioned in the grooves.	Every month
6	Sliding blocks and tracks	Push the UP and DOWN button to check if any slider is over-worn. Add grease to ensure smooth running. Change over-worn sliders.	Every month
7	Entire lifting platform	Run for several cycles with and without rated load. The table can run steadily and smoothly with no abnormal noise.	Every month
8	Hydraulic blocks	Inspect if the valves leak or not. Clean or change the valve if any leakage.	Every month
9	Oil hose and cylinder fitting	Inspect to ensure no leakage before using the lift.	Every month
10	Hydraulic oil	Change the oil 6 months after initial use and once per year thereafter. Inspect the hydraulic oil and change the oil if the oil becomes black or there is dirt in the oil tank. It is advised to use HM NO.46 hydraulic oil.	Every year

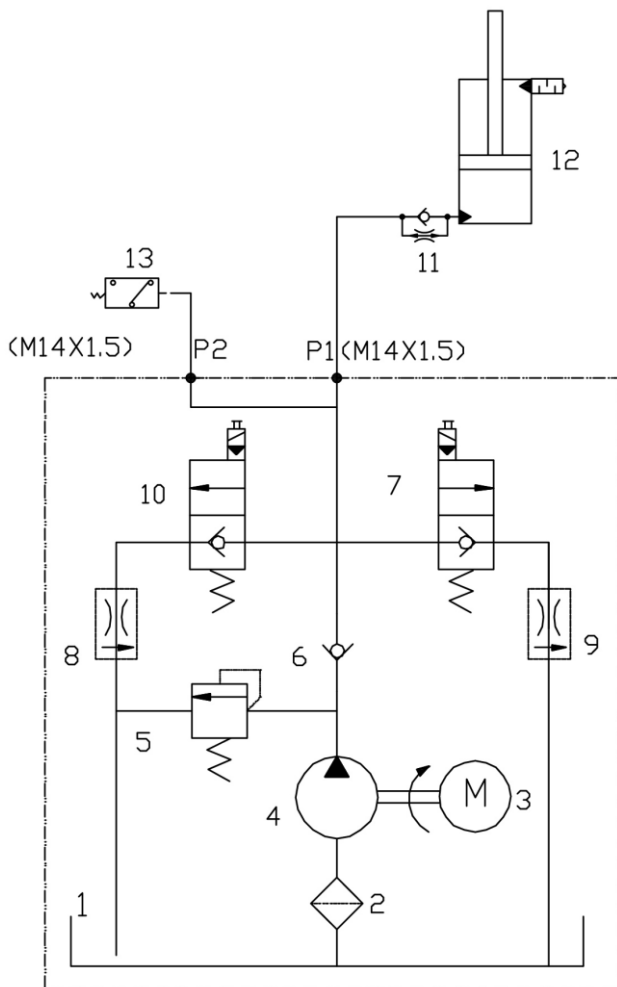
If users stick to the above maintenance requirements, the lift will always keep a good working condition and its service life could be extended.

Annex 1, Electrical diagrams and parts list


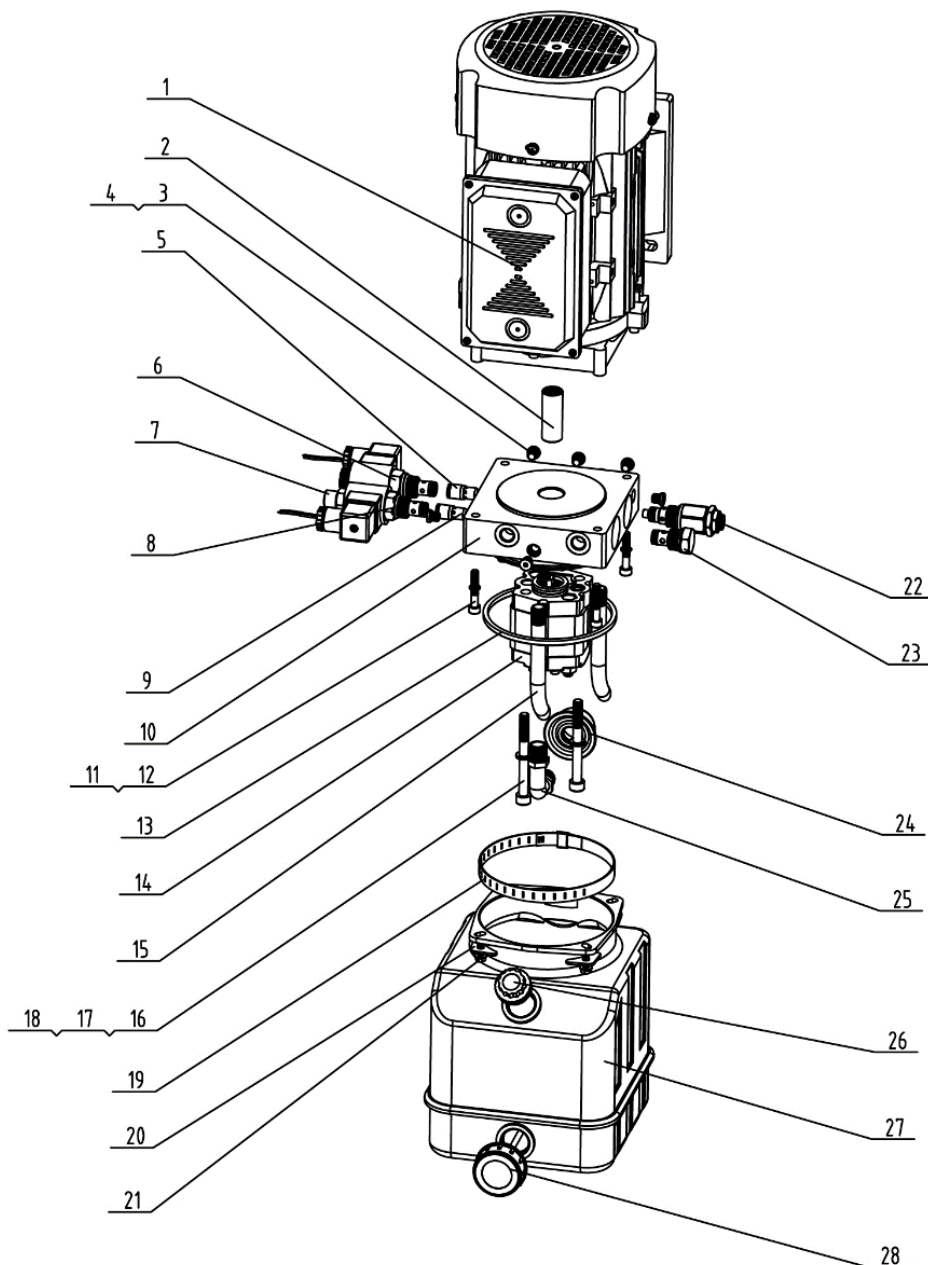




S/N	Component Code	Code	Descriptions	Specification	Qty
1	SB1,SB2,SB3,SB4	320307035	Hand-held control	COP-4B	1
2	PLC	321301026	PCB circuit board	AC24V/DI-11/DO-9	1
3	KM	320901011	AC contactor	CJX2-1810/AC24V	1
4	SQ1	320301011	Limit switch	TZ8108	1
5	QF	320802001	Circuit breaker	DZ47-63C32/2P(NXB-63C32/2P)	1
6	QS	320307036	Power switch	LW26-20GS/04-1	1
7	HL	321800001	Indicating lamp	CDLD6H-22 AC/DC-36V	1
8	-	320503002	Earth terminal	4 positions	1
9	FA	321202001	Alarm buzzer	AD17-22SM/AC/DC24	1
10	QF2	320803006	Circuit breaker	CDB6iC10/1P (CB-60A C10)	1
11	YA	330310018	Electromagnet	DCT45*20	1
12	QF1	320803003	Circuit breaker	CDB6iC3/1P	1
13	T	320101147	Transformer(100V)	JBK5-160VA 100V-24V	1
13	T	320101129	Transformer (110V)	JBK5-160VA 110V-24V	1
13	T	320104005	Transformer (220V/230V/240V)	JBK5-160VA 220V230V240V-24V	1

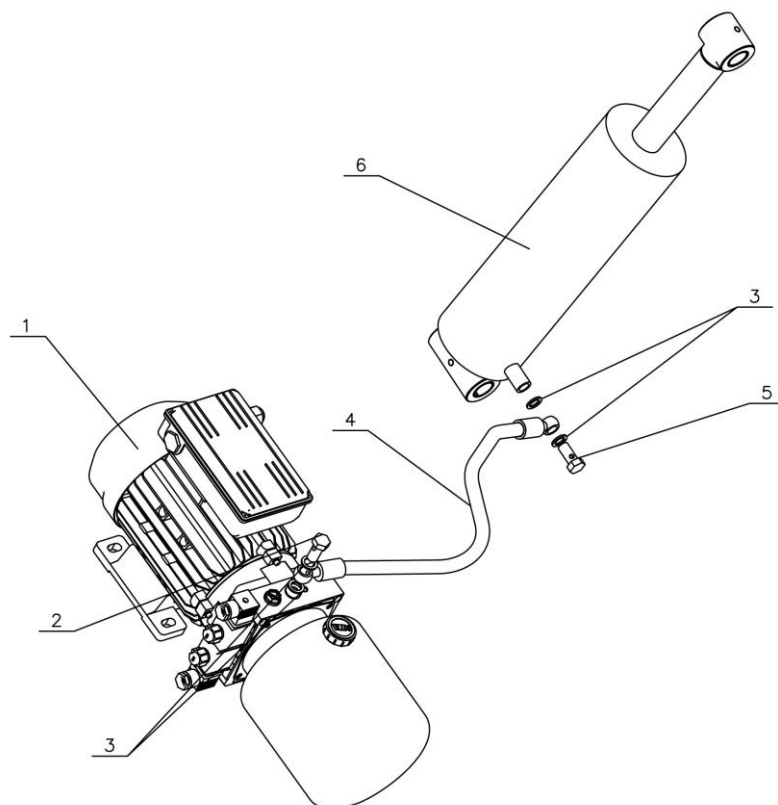
Annex 2, Hydraulic diagrams and parts list


- 1 Steel reservoir
- 2 Filter
- 3 Motor
- 4 Gear pump
- 5 Relief valve
- 6 Non-return valve
- 7 Spool of the solenoid valve
- 8 Pressure make-up valve
- 9 Spool of the solenoid valve
- 10 Pressure make-up valve
- 11 Cylinder connector
(restrictive valve included)
- 12 Cylinder
- 13 Pressure detecting sensor



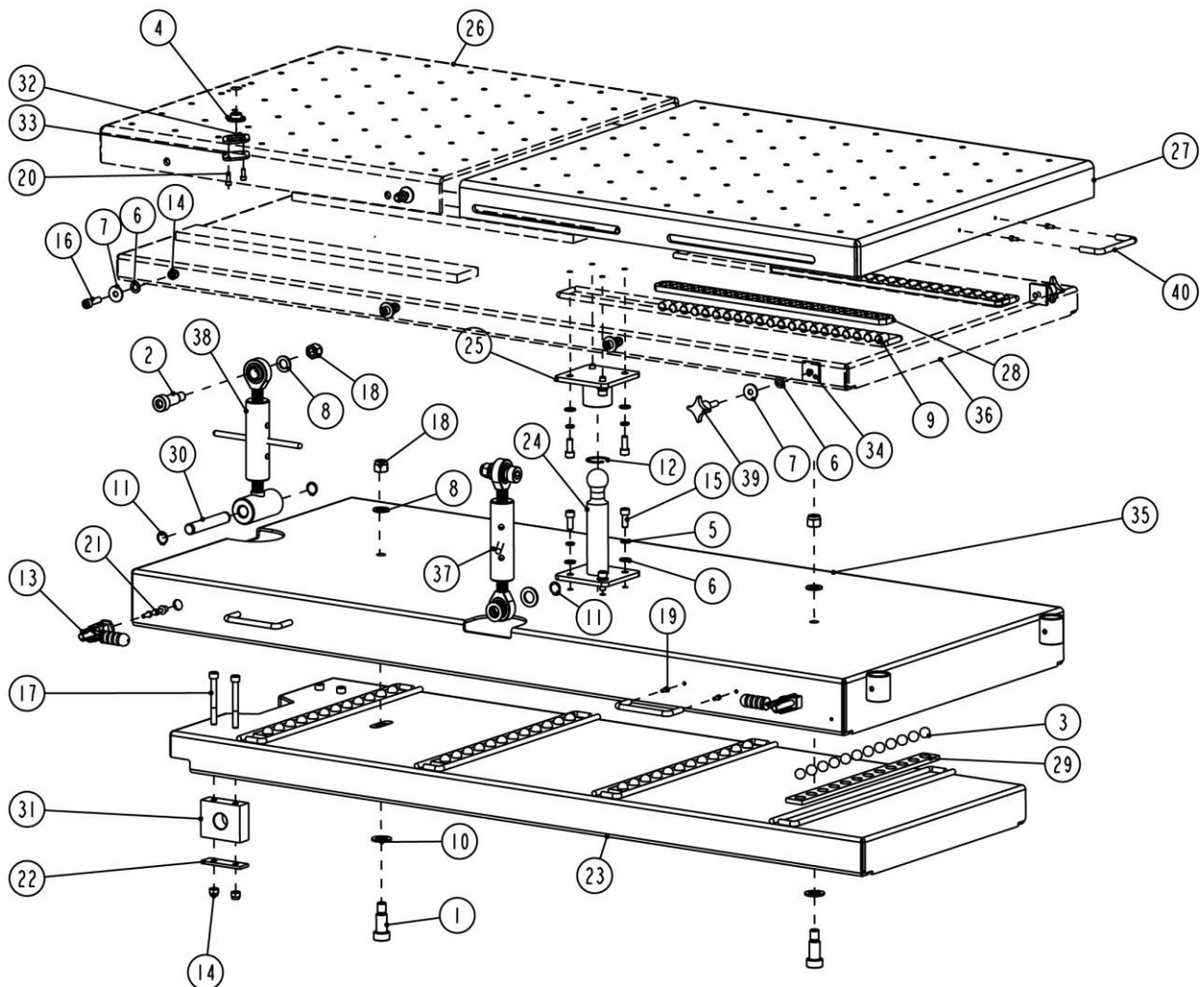
Pos.	Code	Descriptions	Specification	Qty
1	320204292	Motor	100V-1.5KW-1PH-50HZ-60HZ-4P	1
1	320204236	Motor	220V-1.5KW -1PH-50HZ-4P	1
1	320204237	Motor	220V-1.5KW -1PH-60HZ-4P	1
1	320204238	Motor	230V-1.5KW -1PH-50HZ-4P	1
1	320204239	Motor	110V-1.5KW -1PH-60HZ-4P	1
1	320204240	Motor	240V-1.5KW -1PH-50HZ-4P	1
2	330404006	Coupling	48mm (YBZ-F2.1D4H1/1-03)	1
3	207101100	O-seal ring	EKM,6.5*1.5	8
4	210101015	Fitting	YBZ1-PG02A	8
5	330308033	Pressure compensating valve	BL-I0.8	1
6	330308035	Valve spool of the solenoid valve	DHF08-220	1

Pos.	Code	Descriptions	Specification	Qty
7	203204102	Locking nut	FHLM-1/2-20UNF	1
8	330311005	Valve spool of the solenoid valve	24DC(Keta) (LSV-08-2NCP-M-2H)	1
9	330308034	Pressure compensating valve	BL-I1.2	1
10	330105015	Hydraulic block	LBZ-T202FK-1	1
11	202109024	Hex socket cylinder head screw	M6X35-GB70_1	4
12	690305227	Split washer	30502004	4
13	207101098	O-seal ring	109*5.3	1
14	330201005	Gear pump	CBK-F220/CBK-2.1F	1
15	330402014	Oil-back pipe	YBZ-D5B4H2/1-02	2
16	204101005	Flat washer	D8-GB95	4
17	204201013	Split washer	M8	2
18	202109071	Hex socket cylinder head screw	M8x80-GB70_1	2
19	330503030	Stainless steel bind	105-127*12/JB/T8870,1	1
20	430025028	Strengthening plate	SLYX-FHDP-01	4
21	202101022	Cross socket cap head screw	M5X12-GB818	4
22	330304010	Relief valve	DANRV-08-50	1
23	330302008	Non-return valve	YBZ-E2D3I1/1-03	1
24	330403010	Oil-sucking filter	YBZ-4-100	1
25	330401022	Oil-sucking pipe	YBZ-F0.63Y1/1-01	1
26	210101016	Oil reservoir fitting	G3/4	1
27	330405064	Oil reservoir	Plastic	1
28	330502015	Cover	YBZ-BT-G3/4-C	1



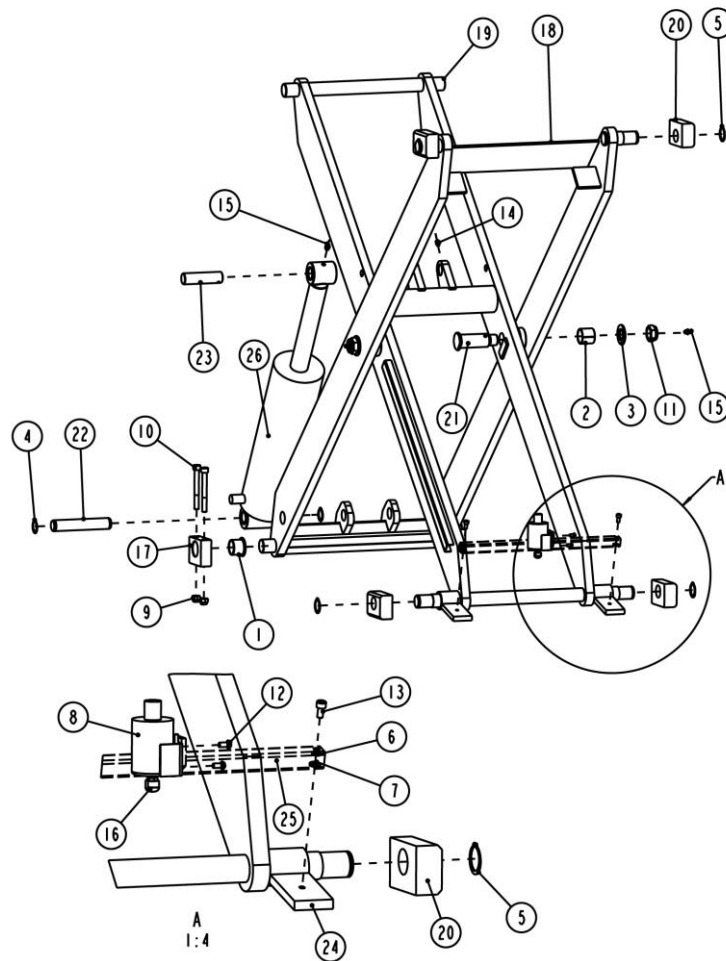
Pos.	Code	Descriptions	Specification	Qty
1	622034432	Power unit	100V-1.5kW-1PH-50HZ-60HZ	1
1	622034263	Power unit	220V/230V-1.5kW-1PH-50HZ	1
1	622034276	Power unit	220V-1.5kW-1PH-60HZ	1
1	622034306	Power unit	110V-1.5kW-1PH-50HZ	1
1	622034265	Power unit	110V-1.5kW-1PH-60HZ	1
2	310101010	Straight connector	G1/4--G1/4	1
3	207103025	Bonded washer	13_7X20X1_5	4
4	624008148	Oil hose	L=670	1
5	310102038	Cylinder connector (restrictive valve included)	MLH600-A1-B1	1
6	615062206	Cylinder	YG100/117-40-280	1

Annex 3, Exploded mechanical drawings and parts list



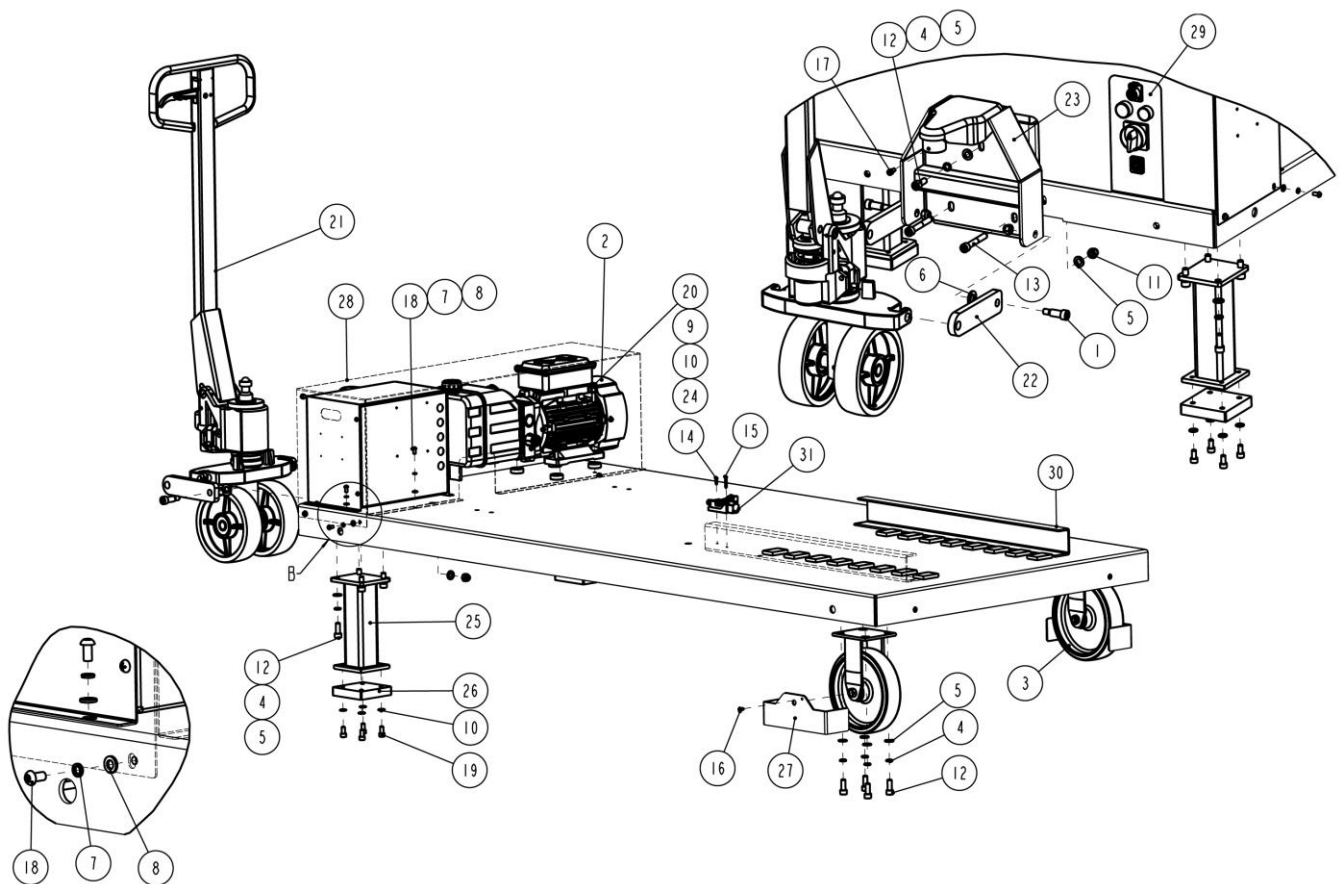
Pos.	Code	Descriptions	Specification	Qty
1	202208008	Hex socket cylinder head screw (with shaft shoulder)	20-M16X35-GB5281	2
2	202208009	Hex socket cylinder head screw (with shaft shoulder)	20-M16X40-GB5281	2
3	420270280	Rolling ball	6435B-A21	48

Pos.	Code	Descriptions	Specification	Qty
4	208107015	Levelling bubble scale	BFHD-3412	1
5	204101006	Flat washer	D10-GB93	8
6	204101006	Flat washer	D10-GB95	16
7	201104001	Large washer	D10-GB96	8
8	204101009	Flat washer	D16-GB95	4
9	206101014	Cylindrical pin	D16X25-GB119_2	42
10	204101011	Flat washer	D20-GB95	4
11	204301007	Circlip	D20-GB894_2	3
12	204301205	Circlip	D40-GB893_1	1
13	208109022	Quick clamp	GH-36204M	4
14	203103007	Hex locking screw	M10-GB889_1	10
15	202109042	Hex socket cylinder head screw	M10X25-GB70_1	8
16	202109044	Hex socket cylinder head screw	M10X35-GB70_1	6
17	202109142	Hex socket cylinder head screw	M10X90-GB70_1	4
18	203103019	Hex locking screw	M16-GB889	4
19	202109008	Hex socket cylinder head screw	M5X12-GB70_1	10
20	202109020	Hex socket cylinder head screw	M6X15-GB70_1	2
21	208109020	Rubber pressing head	M8X75	4
22	410563111	Padding plate	MS12AC-A2-B6	2
23	614059207	Lower sider platform	MS12AC-A3-B1	1
24	614059209	Cardan joint holder	MS12AC-A3-B3	1
25	614059210	Cardan joint cap	MS12AC-A3-B4	1
26	410563303B	Fixed platform	MS12AC-A3-B6	1
27	410563313	Platform extension	MS12AC-A3-B7	1
28	420560060B	Needle roller cage	MS12AC-A3-B8	2
29	420560070	Ball roller holder	MS12AC-A3-B9	4
30	410562741	Shaft	MS12AC-A3-B10	1
31	420560040	Support holder	MS12AC-A3-B13	2
32	410563393	lining plate	MS12AC-A3-B14	1
33	410563403	Padding plate for levelling bubble scale	MS12AC-A3-B15	1
34	410901097	Installation plate for hand-held bar	MS12AC-A3-B16	2
35	614901031	Support platform	MS12M-A3-B2	1
36	614901032	Tilting platform	MS12M-A3-B5	1
37	615068021	Side-tilting assembly	MS12M-A3-B17	1
38	615068022	Front-tilting assembly	MS12M-A3-B18	1
39	208109026	Cross knob	NCRM10-35	2
40	208109019	Stainless steel knob	US10-120	5



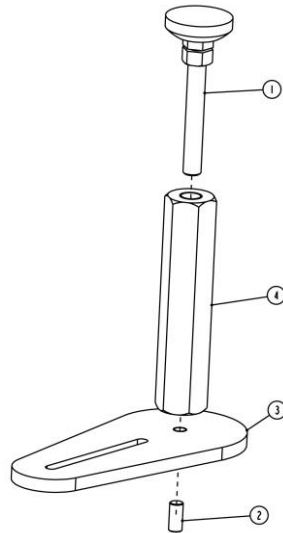
Pos.	Code	Descriptions	Specification	Qty
1	205103004	Flange bearing	3026-SF-1F	2
2	205101054	Bearing	3030-SF-2X	2
3	204101012	Flat washer	D24-GB95	2
4	204301009	Circlip	D25-GB894_2	2
5	204301010	Circlip	D28-GB894_2	4
6	204201003	Spring washer	D6-GB93	2
7	204101004	Flat washer	D6-GB95	2
8	330310018	Electromagnet	DCT45X20	1
9	203103007	Hex locking nut	M10-GB889_1	4
10	202109142	Hex socket cylinder head screw	M10X90-GB70_1	4
11	203103018	Hex locking nut	M24X3-GB6172_2	2
12	202101021	Cross socket cap head screw	M5X10-GB818	2
13	202109019	Hex socket cylinder head screw	M6X12-GB70_1	2
14	202209002	Hex socket tapping screw	M8X12-GB79	1
15	208106001	Straight oil cup	M8YB-JB9740_1	4
16	420550010	Adjustable head	MR35E-A09-B02	1
17	410563353	Support holder	MS12AC-A2-B1	2

Pos.	Code	Descriptions	Specification	Qty
18	614059203	Outside support arm	MS12AC-A2-B2	1
19	614059204	Inside support arm	MS12AC-A2-B3	1
20	420560050	Sliding block	MS12AC-A2-B4	4
21	410562291	Middle shaft of the support bracket	MS12AC-A2-B5	2
22	410562301	Downside shaft of the cylinder	MS12AC-A2-B7	1
23	410562311	Upside shaft of the cylinder	MS12AC-A2-B8	1
24	612059205B	Mechanical safety block	MS12AC-A2-B9	2
25	614059206B	Connection rod of the lock assembly	MS12AC-A2-B10	1
26	615062206	Cylinder	YG100/117-40-280	1

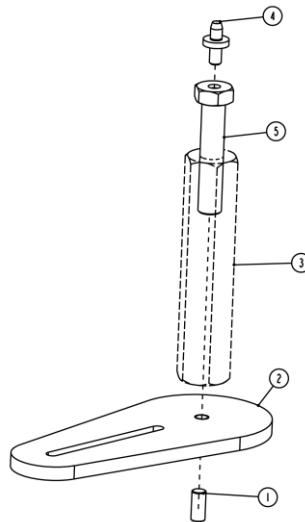


Pos.	Code	Descriptions	Specification	Qty
1	202208007	Hex socket cylinder head screw	13X25-GB5281	2
2	622034432	Power unit	100V-1.5KW-1PH-50HZ-60HZ	1
2	622034263	Power unit	220V/230V-1.5KW-1PH-50HZ	1
2	622034276	Power unit	220V-1.5KW-1PH-60HZ	1
2	622034306	Power unit	110V-1.5KW-1PH-50HZ	1
2	622034265	Power unit	110V-1.5KW-1PH-60HZ	1
3	420680063	TPU caster	47-08252	2

Pos.	Code	Descriptions	Specification	Qty
4	204101006	Flat washer	D10-GB93	17
5	204101006	Flat washer	D10-GB95	19
6	204101008	Flat washer	D14-GB95	2
7	204201003	Spring washer	D6-GB93	10
8	204101004	Flat washer	D6-GB95	10
9	204201004	Spring washer	D8-GB93	4
10	204101005	Flat washer	D8-GB95	12
11	203103007	Hex locking nut	M10-GB889_1	5
12	202109042	Hex socket cylinder head screw	M10X25-GB70_1	17
13	202109080	Hex socket cylinder head screw	M10X70-GB70_1	2
14	202101009	Cross socket cap head screw	M4X14-GB818	1
15	202101010	Cross socket cap head screw	M4X25-GB818	1
16	202110001	Hex socket button head screw	M5X8-GB70_2	2
17	202109019	Hex socket cylinder head screw	M6X12-GB70_1	1
18	202110003	Hex socket button head screw	M6X12-GB70_2	10
19	202109028	Hex socket cylinder head screw	M8X16-GB70_1	8
20	201102015	Hex head full threaded bolt	M8X40-GB5783	4
21	615062007	Pallet jack	MS12AC-A1-B2	1
22	410562913	Connection rod	MS12AC-A1-B3	2
23	614059217	Cover of the Pallet jack	MS12AC-A1-B6	1
24	420680072	Anti-vibrating pad	MS12M-A1-B3	4
25	614059219	Support tube assembly	MS12M-A1-B7	2
26	420680064	Rubber pad	MS12M-A1-B9	2
27	410901269	Wheel deflector	MS12M-A1-B10	2
28	410902293	Control unit cover	MS12M-A1-B11	1
29	615068456	Control box	MS12M-A1-B12	1
30	614901482	Mobile base frame assembly	MS12M-A1-B1_1	1
31	320301011	Limit switch	TZ8108	1

Optional Adapter 1


Pos.	Code	Descriptions	Specification	Qty
1	208109024	Adjustable foot	D80-M20x100	1
2	202205013	Hex socket tight screw	M12x30	1
3	410562011	Pad plate	MS10-A08-B01	1
4	410563381	Support rod	MS10-A08-B02	1

Optional Adapter 2


Pos.	Code	Descriptions	Specification	Qty
1	202205013	Hex socket tight screw	M12x30	1
2	410562011	Pad plate	MS10-A08-B01	1
3	410563381	Support rod	MS10-A08-B02	1
4	410563361	Orientation pin	MS10-A08-B03	1
5	410563371	Adjustable screw	MS10-A08-B04	1