

6.0T
Max. Capacity

APS
Accurate Parking System
Technology By EAE

2000MM
Max. Lifting Height
with Standard SUV Adapters



Accurate Parking System

Abbreviated as APS, it enables to efficiently park the lifted vehicle at exact height which is necessary for chassis maintenance, transmission repair or changing. Without this APS system, it is hard and also time-consuming to park exactly as each time you lower the vehicle, the carriage of the lift will rise to release the mechanical safety catch.



62C-50T



62C-60T

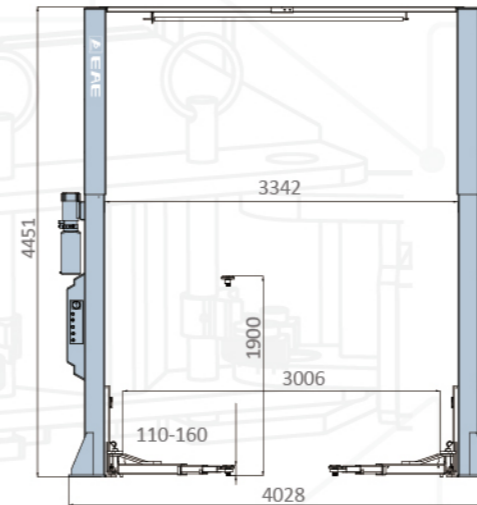


62C

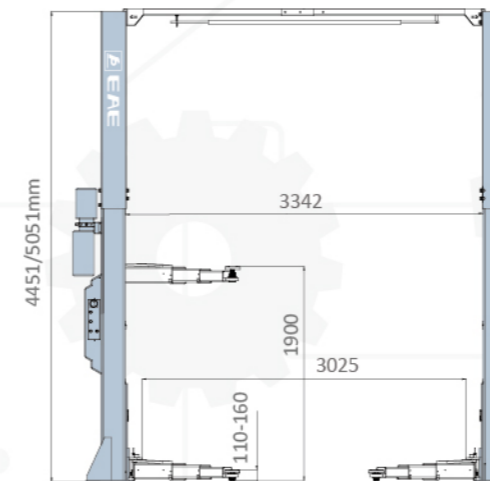
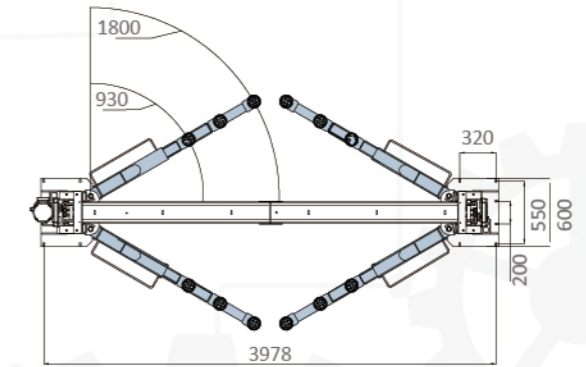
TWO POST LIFT WITH APS TECHNOLOGY

- Clear floor design for easy movement of maintenance equipment under the raised vehicle.
- With APS technology.
- 1900mm lifting height.
- 5.0T/6.0T lifting capacity.
- Durable cylinders in each column carry with anti-surge valves.
- Screw-up lifting pads with clearance height less than 100mm.
- The arm locks engage and disengage automatically.
- More flexible three stage arms.
- Vehicle roof protective device.
- Standard aluminum motor avoids overheating and ensures long service life.
- Durable powder coating.
- Standard door protection pads to prevent possible damage when open the door without caution.
- Standard column curtain.
- Pre-fixed hydraulic pressure prevents overloading operation.
- ABS control box with rubber gasket sealing.
- CE certificated.

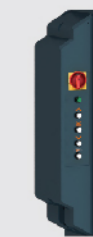
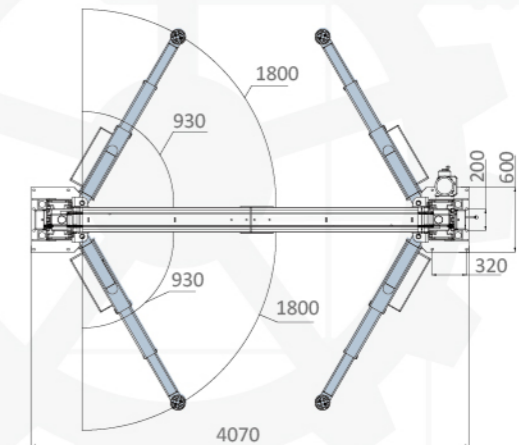
OVERALL DIMENSION



62C-50T



62C-60T



24 Control Box



Aluminum Motor



3-Stage Short Arm And 2-Stage Long Arm (62C-50T)

TECHNICAL DATA

MODEL NO.	62C-50T	62C-60T
Lifting capacity	5.0T	6.0T
Max. lifting height	1900mm	1900mm
Overall height	4451mm	4451/5051mm
Min. height	110mm	110mm
Drive-through width	3006mm	3025mm
Lifting time	Approx. 35S	Approx. 55S
Motor	3.5kW/3ph	3.5kW/3ph
Electricity supply	According To Customer Needs	

* Max. Lifting height is measured with adjustable screw pads at highest position.
* Machine shown with optional equipment. Actual product appearance may differ.

