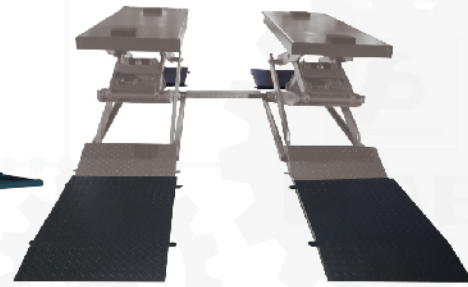


4.0T  
Lifting Capacity

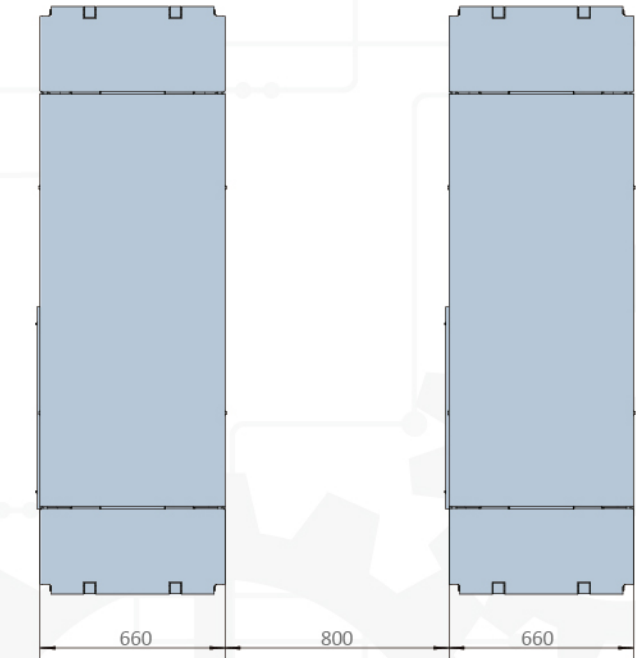
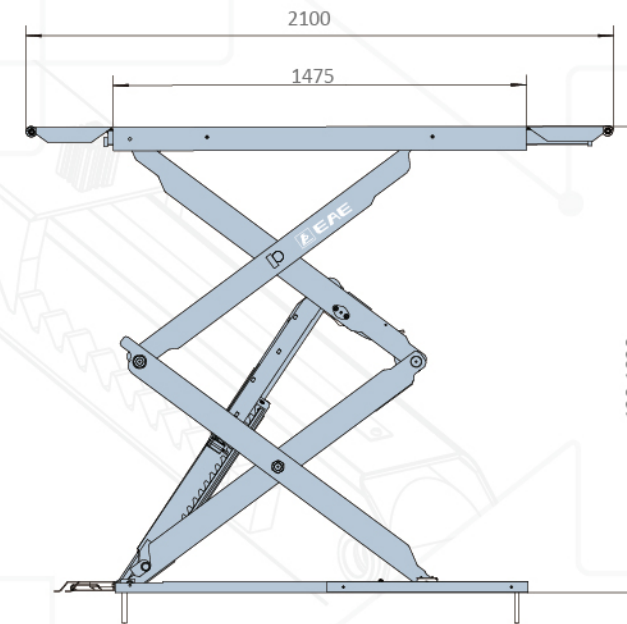
130MM  
Drive-on Height

1930MM  
Max. Lifting Height



Optional transition ramps for low chassis

**OVERALL DIMENSION**



SCISSOR LIFT

**TECHNICAL DATA**

MODEL NO.	65A-40T
Lifting capacity	4.0T
Max. lifting height	1930mm
Min. height	130mm
Lifting time	Approx. 55S
Motor	3.5kW/3ph
Air supply	6-8bar
Platform width	660mm
Weight	1158kg
Electricity supply	According To Customer Needs



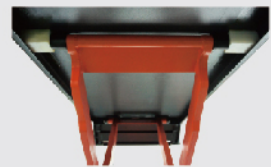
\* Machine shown with optional equipment. Actual product appearance may differ.



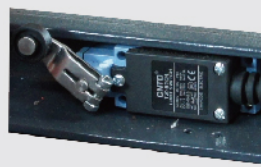
**65A-40T**

**FULL RISE SCISSOR LIFT**

- 4.0T lifting capacity.
- Above-ground or recessed installation.
- 130mm initial height.
- Four cylinder design.
- Pneumatic released safety locking system.
- Drive-on ramps lock into position as platform extensions.
- Steady raising and lowering, no noise when lowered to ground.
- Durable cylinders with anti-surge valves.
- 24V safe control system.
- Height limit switch.
- Powder coated finish.
- Self-lubricated bushing and bearing.
- It has been proofed by dynamic test with 115% of rated capacity and static test with 150% capacity.



Anti-abrasion Slider



Height Limit Switch



Mechanical Safety Lock



24v Safe Control System



Start-Up Plate



Four Cylinder Design